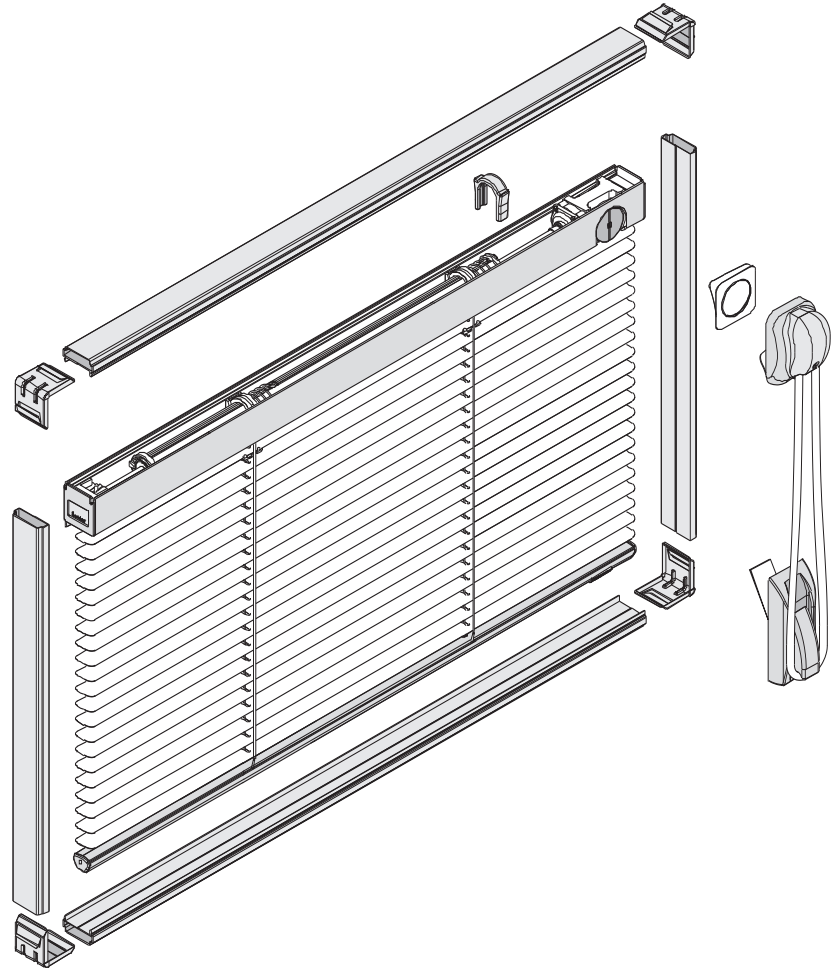


Screenline

SL27C

SL32C



The ScreenLine® venetian blinds SL27C and SL32C are designed for use in double-glazed units, are manufactured in accordance with high technical specification and production standards. The slat raising, lowering and tilting function is achieved using a rotational magnetic transmission through the glass thereby guaranteeing the unit's hermetic seal. The external magnet, fixed to the internal glass by double-sided high performance adhesive allows perfect alignment with the internal magnet. The raising and lowering operation is achieved using a continuous cord loop that drives the external magnet. The cord is held lightly under tension by a cord tensioner on the glass directly below the external magnet. A special mechanical end stop inside the head rail guarantees that the blind stops at its the lowest position. The cord winding system ensures that the bottom rail moves perfectly parallel.

Height	300 ~ 3.000 mm
Width	300 ~ 3.000 mm
Max. Area	see feasibility tables
Blind stack height	3.4% of height + 40 mm

1. technical features

Magnetic drive components

Fibreglass re-inforced nylon 66 casing. Transmission gears and parts manufactured from carbon-nitride steel. Ball bearing support for both magnets and gears.

Neodymium-Iron-Boron magnets with the following technical features:

Energy produced	Bh max-Mg.Oe	33-35
Residual inductio	Br-Gauss	11.000 / 12.000
Coercive force	Hc-Oestered	10.000
Maximum working temperature	°C	120
Curie temperature	°C	310
Reversible temperature factor	°C	-0.12%

Head rail

Extruded aluminium, A6063S-T5 alloy. Dimensions: width 27 mm, height 36 mm with pelmet. Powder coated to colour co-ordinate the slats. Designed with a special interlocking mechanism for easy and quick assembling of head rail to the upper U-shaped spacer bar.

Slat

Aluminium, AA 6011-T8 alloy. Dimensions: width 16 mm, thickness 0.2 mm. High-resistance polyester paint. Available colours: nine. The slat have a special treatment designed to eliminate possible emissions of chemical products inside the double-glazed unit, when exposed to ultraviolet and heat radiation i.e. non-fogging.

Solar and light performances of the slat only

SLAT COLOUR	S102	S106	S125	S130	S142	S149	S155	S156	S157
Solar reflection %	70	62	57	58	65	68	42	65	43
Light reflection %	78	72	63	65	69	75	48	62	44
Solar absorption %	31	38	43	42	35	32	59	35	57

Bottom rail

Extruded aluminium A6063S-T5 alloy. Dimensions: width 14 mm, height 11 mm. Powder coated to colour co-ordinate the slats. Manufactured in two interlocking profiles.

Ladder

Thermo-fixed 100% polyester. 12 mm pitch. Excellent dimensional and colour stability to UV rays. Treated to avoid any possible emissions of chemical products inside the double-glazed unit when exposed to ultraviolet rays and heat. Colour co-ordinate the slats.

Cords

Thermo-fixed 100% polyester internal cord, with excellent dimensional stability. 1.0 mm diameter - colour white. External cord, 4 mm diameter. Colours: white, black or light grey.

Spacer bar

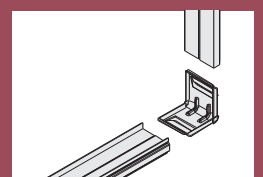
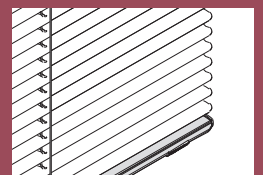
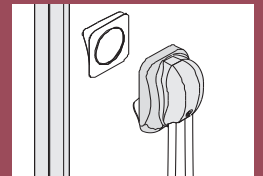
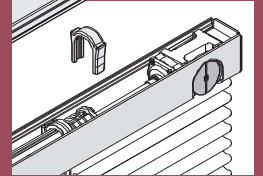
Extruded aluminium. Available in two versions for each system:

SL27: standard spacer bar dimension 27 x 8 mm; "U" shaped spacer bar 27 x 8 mm with 4 mm clipping projection for head-rail connection.

Option: "L" shaped side spacer bar 27 x 8 mm with 10 mm projection on one side.

SL32: "C" spacer bar dimension 32 x 8 mm with 12 mm pelmet; "U" shaped spacer bar 32 x 8 mm with 4 mm clipping projection.

No-dust treatment available for: "L" shaped (27 mm) and "C" shaped (32 mm) spacer bars.



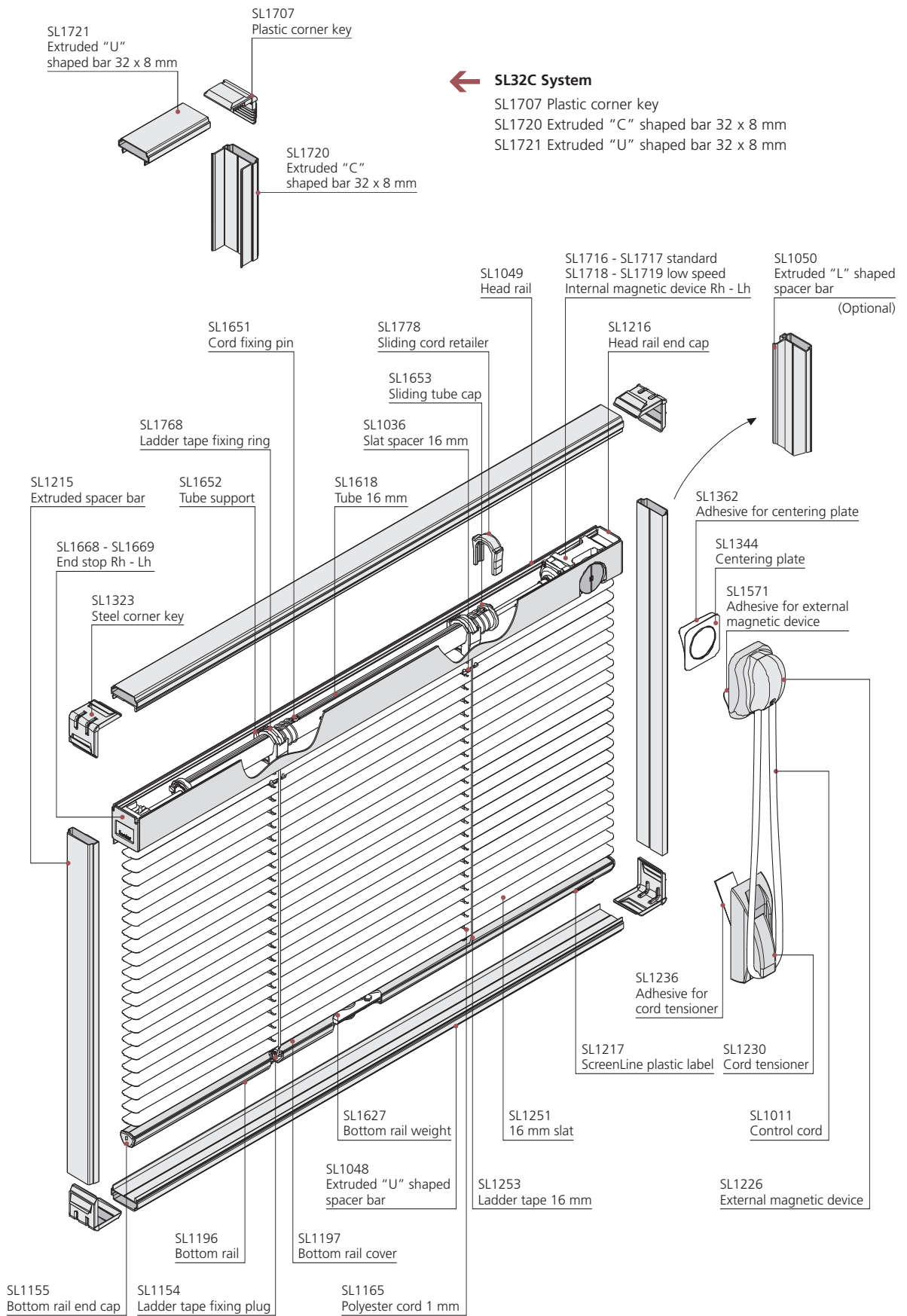
SL27C

2. technical drawings

comprehensive drawing with component codes

SL32C System

- SL1707 Plastic corner key
- SL1720 Extruded "C" shaped bar 32 x 8 mm
- SL1721 Extruded "U" shaped bar 32 x 8 mm

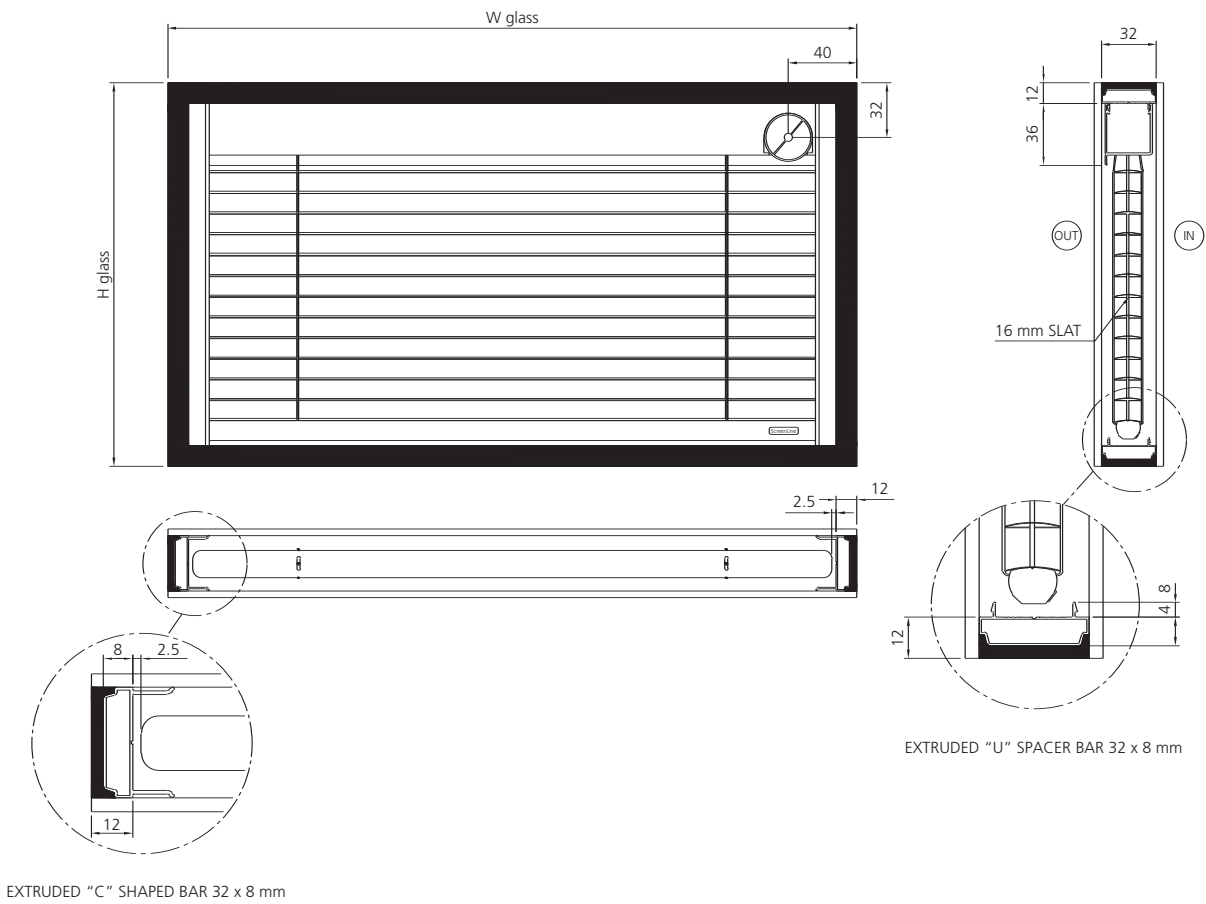
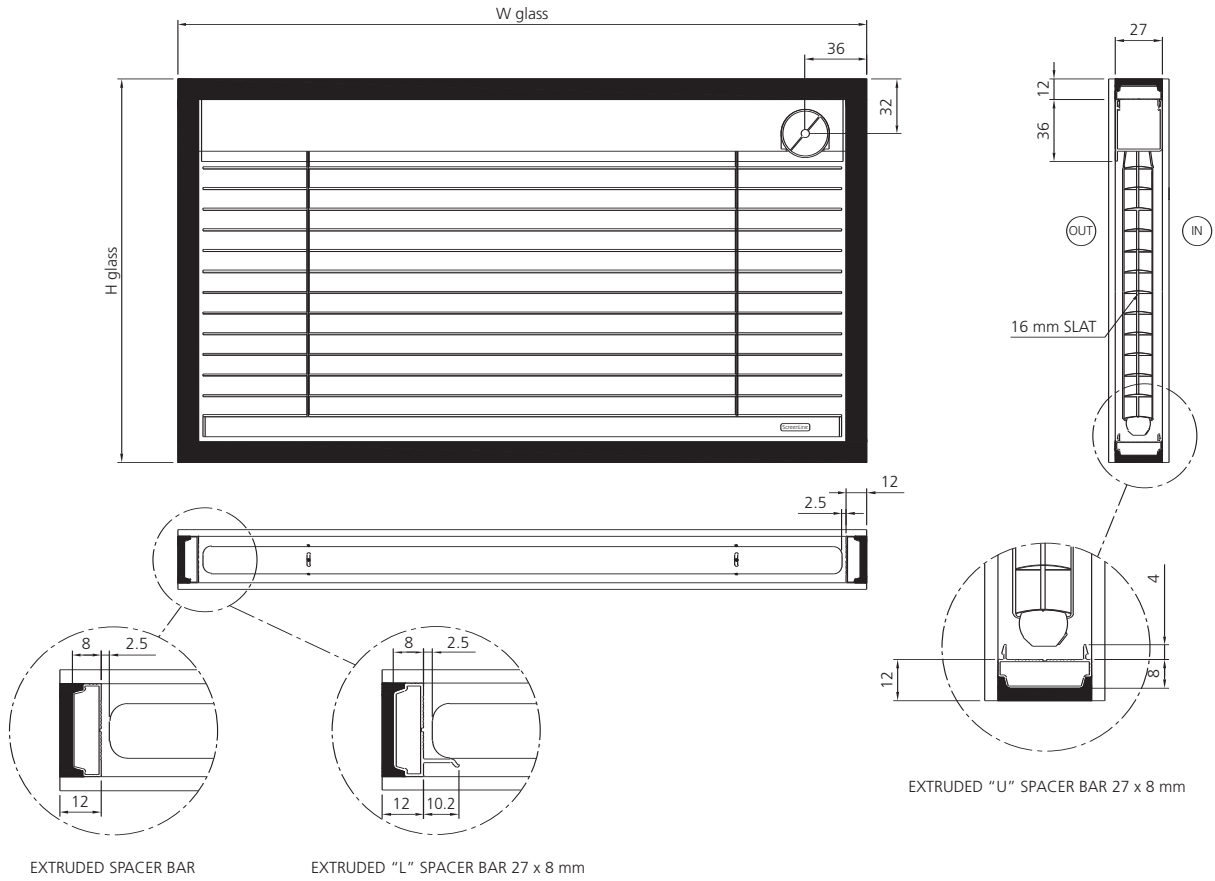


SL32C

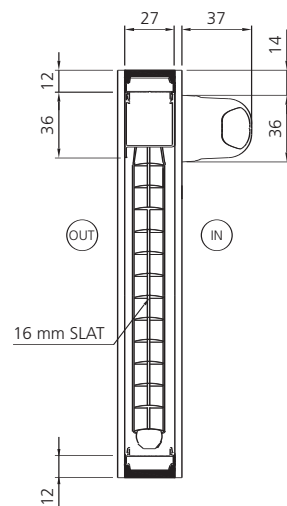
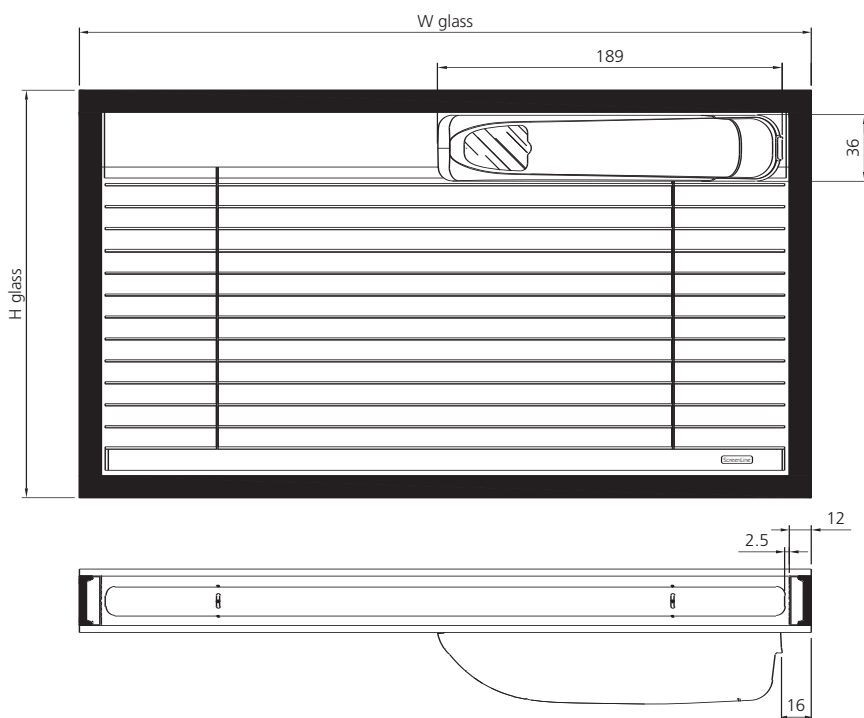
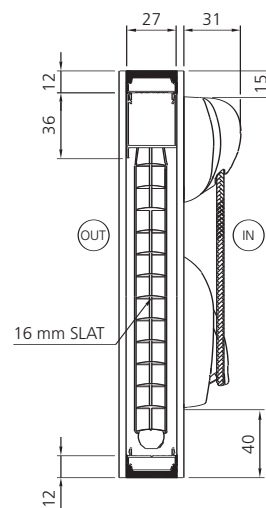
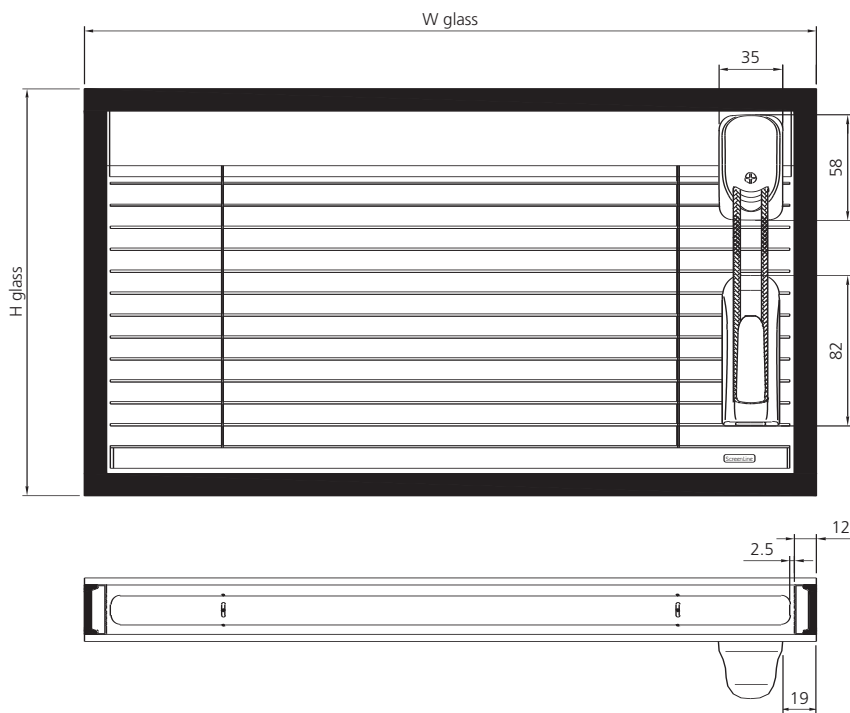
SL27C drawing with component codes

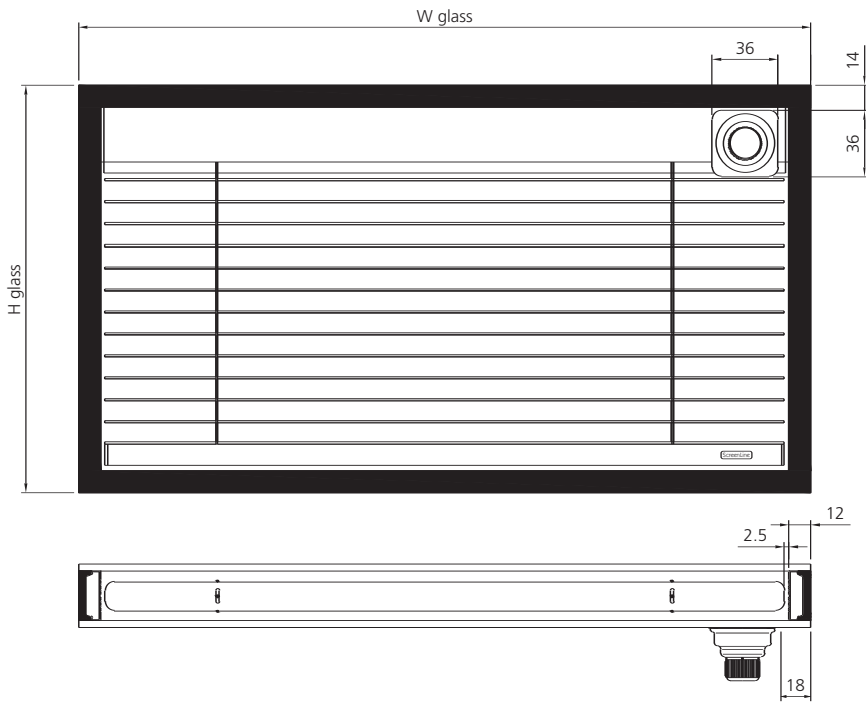
venetian blind

SL27C SL32C

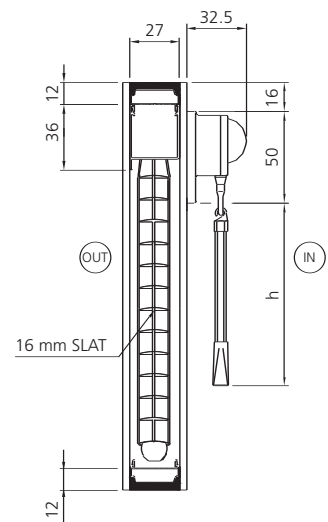
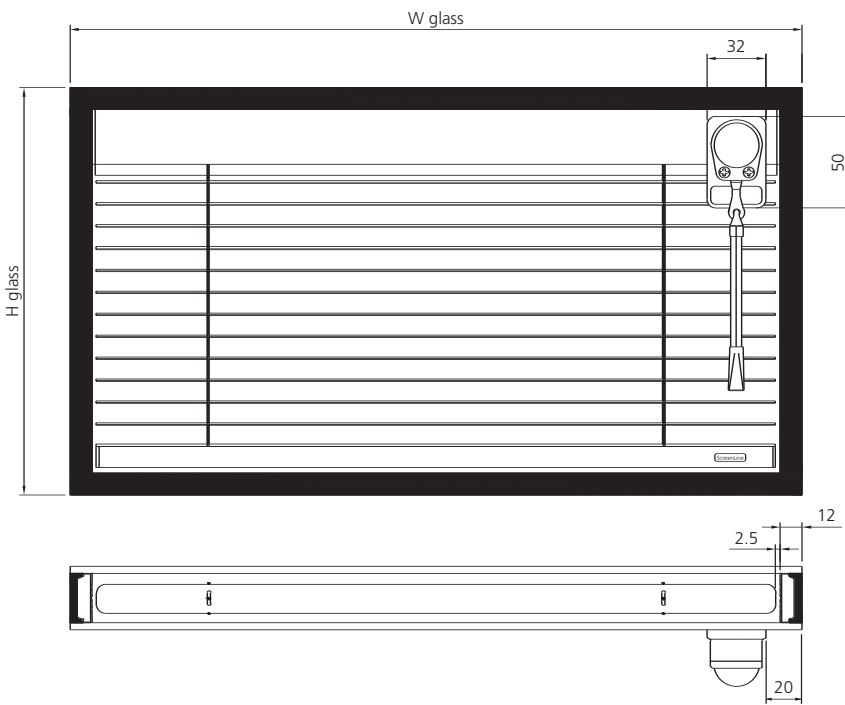
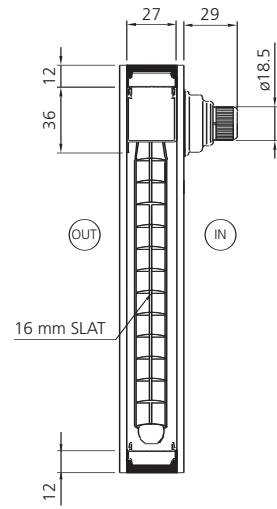


raising, lowering and tilting functions





tilt only



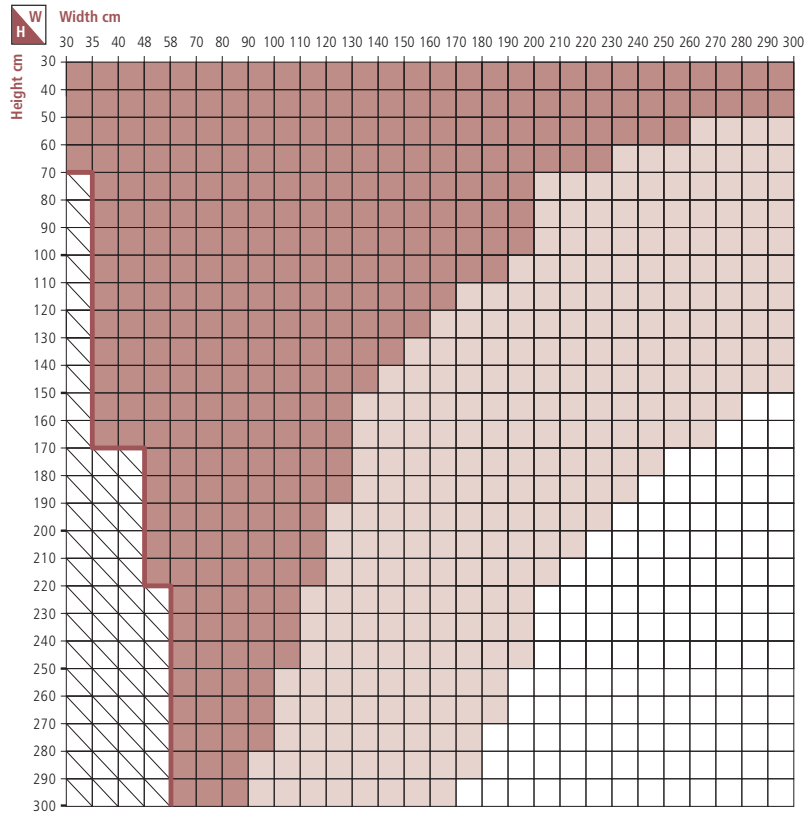
SL27C double-glazed unit with frontal knob operation

SL27C double-glazed unit with wand operation

SL27C

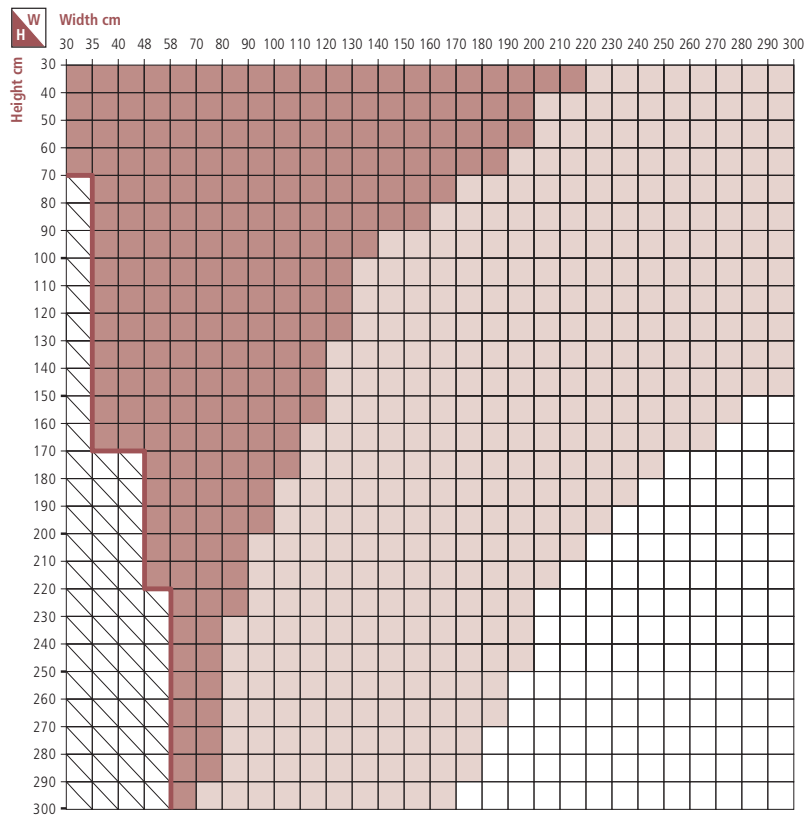
4


glass thickness **4 mm** Monolithic





5


glass thickness **5 mm** Monolithic



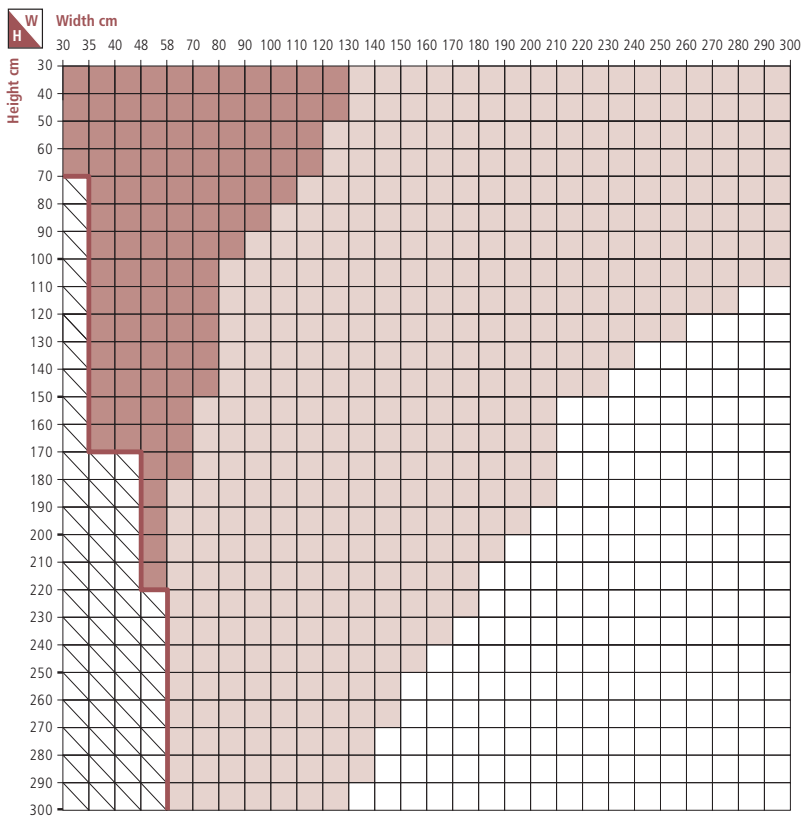
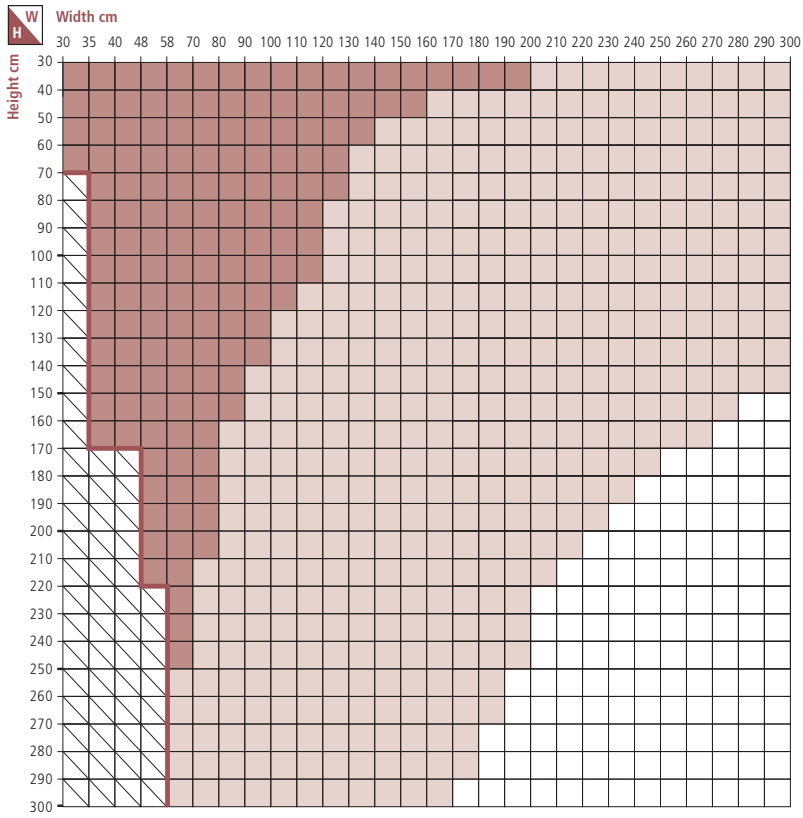
 Raisable with standard speed System


 Raisable with reduced speed System


 Tilt only with blind delivered raised and packaged


 Tilt only with fixed bottom rail or double head rail


3. feasibility



 Raisable with standard speed System

 Raisable with reduced speed System

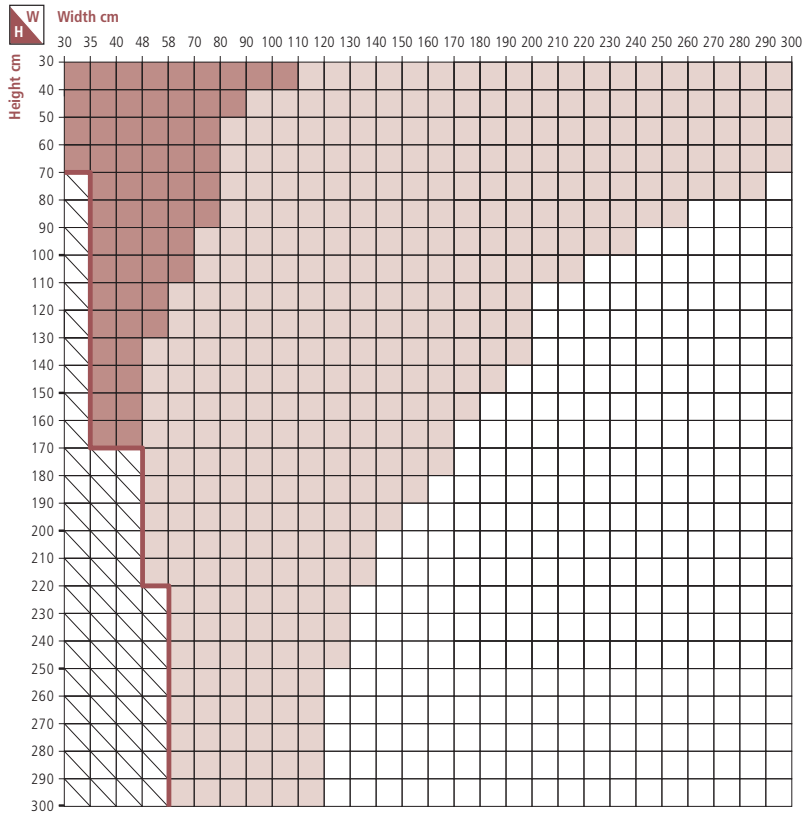
 Tilt only with blind delivered raised and packaged

 Tilt only with fixed bottom rail or double head rail

SL27C

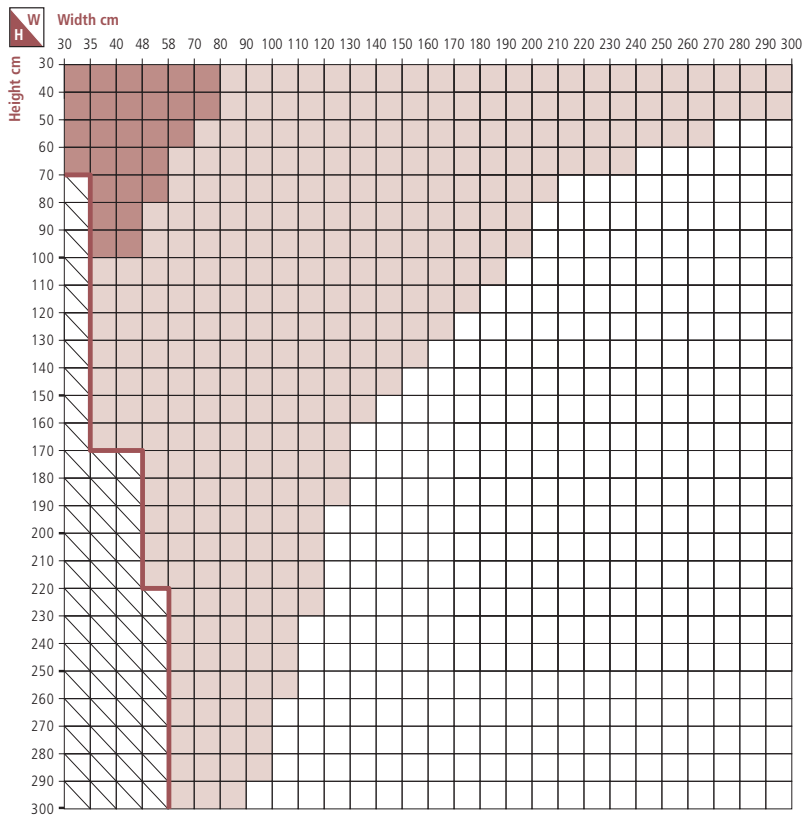
8

glass thickness **8 mm** Monolithic



9

glass thickness **9 mm** Laminated 44.1 44.2



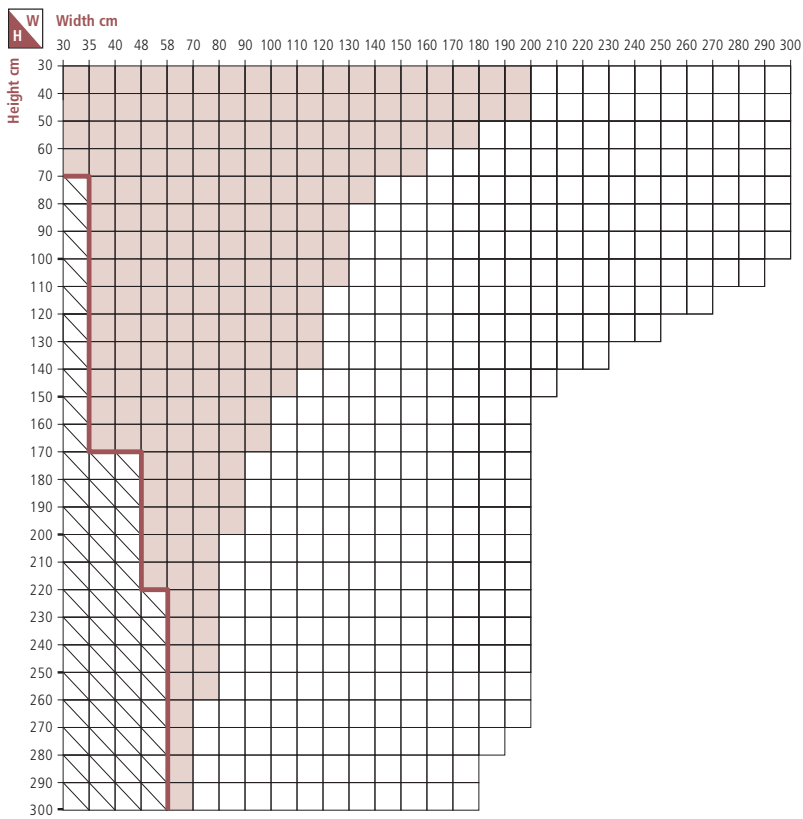
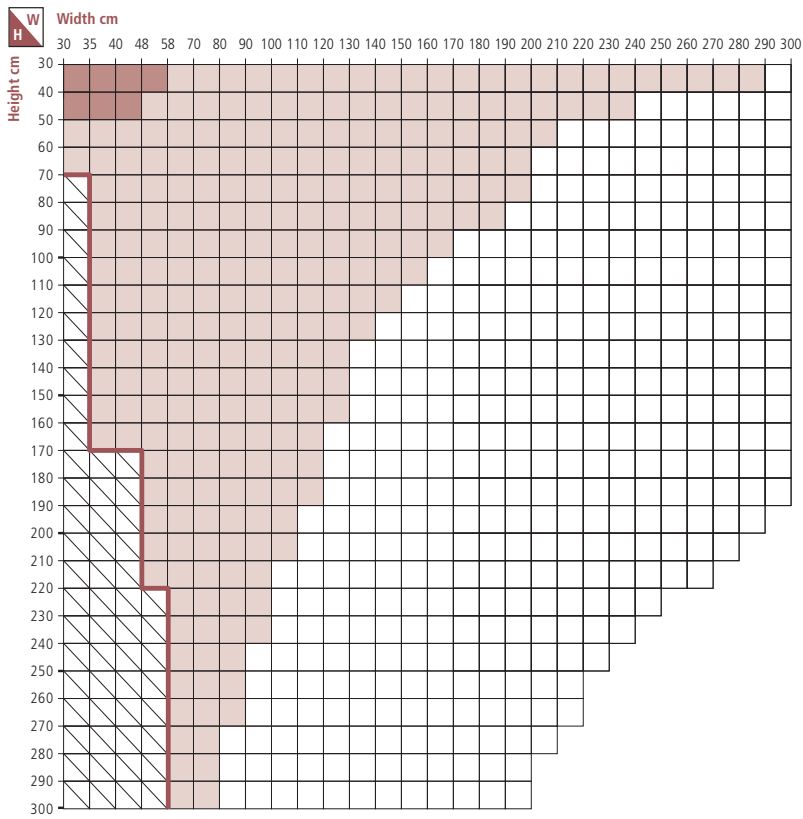
Dark brown square: Raisable with standard speed System

Light brown square: Raisable with reduced speed System

White square: Tilt only with blind delivered raised and packaged

Hatched square: Tilt only with fixed bottom rail or double head rail

feasibility



- Raisable with standard speed System
- Raisable with reduced speed System
- Tilt only with blind delivered raised and packaged
- Tilt only with fixed bottom rail or double head rail

10

glass thickness **10 mm** Monolithic

11

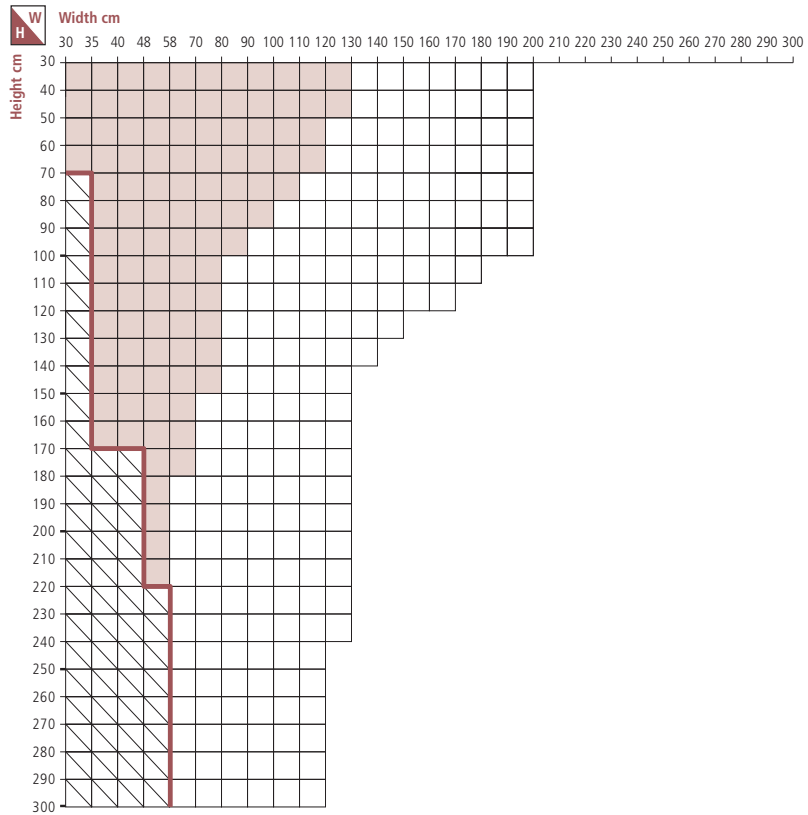
glass thickness **11 mm** Laminated 55.1 55.2 55.4

SL27C

feasibility

13

glass thickness 13 mm Laminated 66.1 66.2 66.4



Raisable with standard speed System

Raisable with reduced speed System

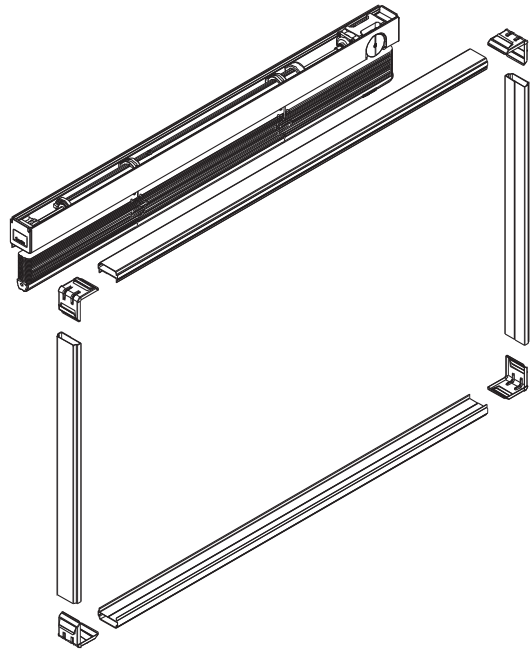
Tilt only with blind delivered raised and packaged

Tilt only with fixed bottom rail or double head rail

ScreenLine® kit components

On receipt of the goods, check the integrity of the package and confirm that the components are as detailed on the Purchase Order. The kit includes: **A**

- venetian blind comprising an internal magnetic control system integrated within the head rail
- 2 No. top / bottom U-profile spacer bar (width)
- 2 No. standard side profile spacer bars (height, L-profile optional)
- 4 No. steel corner keys
- external magnetic control comprising the aluminium centering base plate plus cord and cord tensioner, all with factory applied adhesive tape.



A kit composition

Assembly of the integral blind unit

Spacer bars preparation

Fill the side spacer bars with required amount of molecular sieve **B** and apply the primary butyl on the spacer frame in a continuous line, in accordance with EN 1279-2. **C**

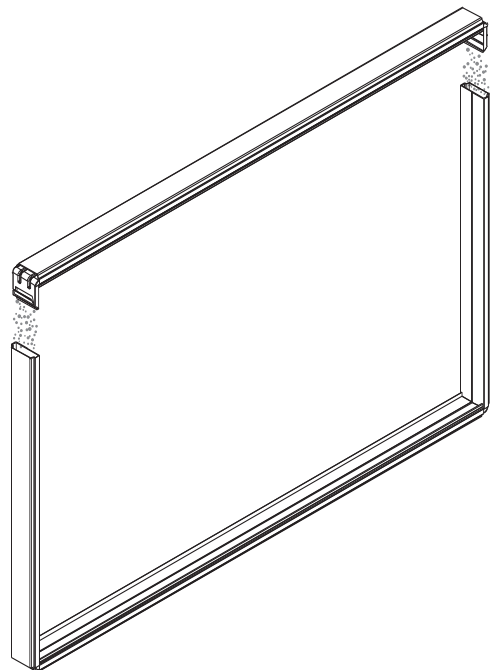
Line assembly

Pass the first glass through the washer either on its base or on its height.

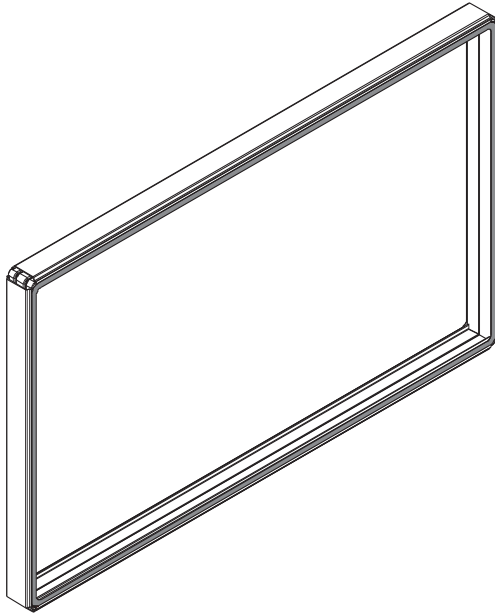
Remove the plastic protective film from the blind / head-rail, align the head rail with the top spacer U-profile and clip together to form a mechanical bond. **D**

Position the spacer frame uniformly on the glass ensuring it is perfectly parallel and square (avoid inwards deflection of the side spacer bars) and that the internal magnet faces the internal glass surface; press to obtain a high degree of adhesion. The internal magnet must be to the same side as the L-profile projection of the side spacer bar (where applicable) in order to avoid trapping the slat stack between head rail and the L-projection.

Proceed with the assembling of the second glass and pass through the on line pressing system. **E**



B spacer bars - glass assembly



C first sealing applying

Gas filling

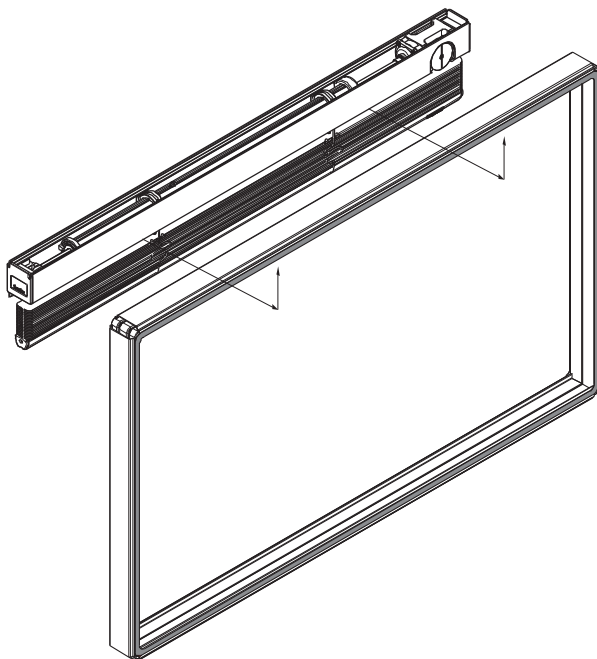
Using the appropriate equipment and in accordance with the standard procedure replace the internal air with argon.

Testing

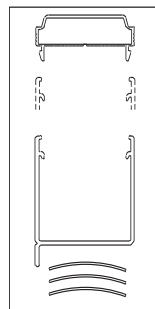
Prior to applying the final seal (as indicated in EN 1279-2), test the blind function's correctly using the cord operated external magnetic device after ensuring that the double-glazed unit is positioned vertically with the blind head rail at the top. Ensure that the distance between slats and side profiles remains constant.

Second sealing

Raise the blind completely apply the final seal, according to EN 1279-2 regulation. **F**



D blind insertion on the spacer bars



Note

It is absolutely recommended not to capsize the unit while the blind is partially or completely lowered. Always ensure that the blind is completely raised when turning the unit.

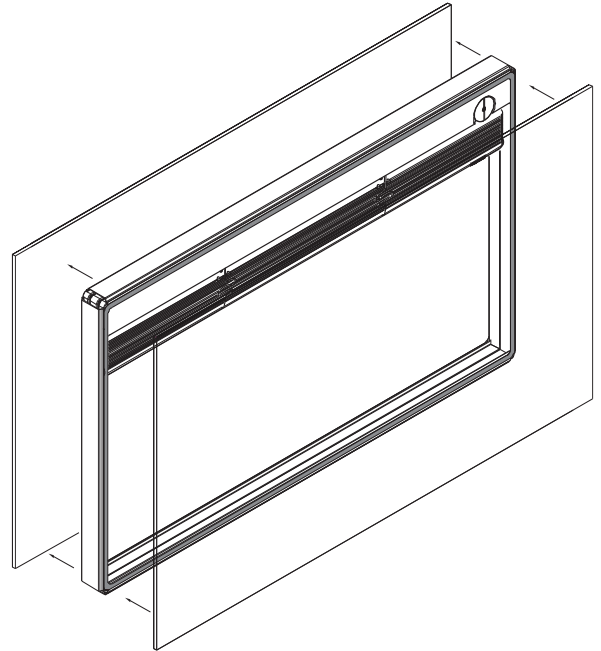
The external magnet and cord tensioner should only be applied to the glass surface after glazing.

Please ensure the glass surface is cleaned correctly to obtain good adhesion. The use of the stainless steel base plate allows greater accuracy when locating the external magnet over the internal magnet in order to achieve perfect alignment. During this operation ensure the glass is clean.

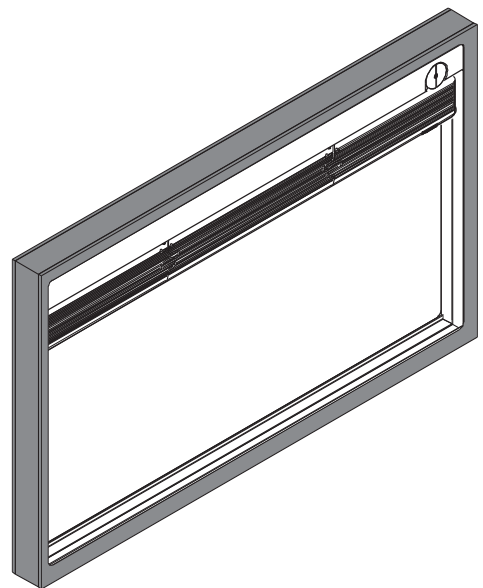
Transport and Storage

For transport and stock procedure please check the recommendations contained in the relevant part of the ScreenLine®

Technical Catalogue.



E glass assembly



F double-glazed unit
second sealing

H / Cm	W / Cm																													
	60	70	80	90	100	110	120	130	140	150	160	170	180	190	200	210	220	230	240	250	260	270	280	290	300					
100	Euro 155	180	184	186	190	194	197	200	204	212	217	222	227	231	236	241	246	251	256	260	265	270	275	280	285					
110	Euro 158	183	187	191	195	198	202	206	209	217	223	228	233	238	243	248	253	258	263	269	274	279	284	289	294					
120	Euro 161	186	190	195	199	203	207	211	215	224	229	235	240	246	252	257	262	268	273	279	285	290	295	301	306					
130	Euro 164	190	194	198	203	208	212	216	221	230	235	242	247	253	259	265	271	277	282	288	294	300	306	312	318					
140	Euro 166	193	197	202	208	212	217	221	225	235	241	247	254	260	266	272	278	285	290	296	303	309	315	321	327					
150	Euro 169	196	201	206	211	216	221	226	231	241	247	254	260	267	273	280	286	293	299	306	312	319	325	332	338					
160	Euro 172	199	205	210	215	221	226	231	237	247	254	260	268	274	281	288	294	301	308	315	322	328	335	346	351					
170	Euro 175	202	208	214	219	225	231	237	242	253	260	267	274	281	289	295	303	310	317	324	331	338	348	356	363					
180	Euro 178	206	212	217	224	230	235	242	248	259	266	274	281	289	296	303	311	318	326	333	342	353	361	374	382					
190	Euro 181	209	215	221	228	234	241	247	254	264	272	280	288	295	303	311	319	327	335	342	356	367	377	389	396					
200	Euro 184	212	218	225	232	239	245	252	258	270	278	287	294	303	311	319	327	335	343	351	364	375	388	391	403					
210	Euro 186	215	222	229	236	243	250	257	264	276	285	293	301	310	318	327	335	343	352	360	377	389	402	411	419					
220	Euro 190	218	225	232	241	248	255	263	270	282	291	300	308	317	326	335	343	352	361	370	385	398	410	421	430					
230	Euro 193	222	229	237	245	252	260	268	275	288	296	306	315	324	333	342	351	360	369	379	393	405	416	427	439					
240	Euro 195	225	232	241	249	257	265	273	280	294	303	312	322	332	341	350	360	369	379	388	405	417	429	440	452					
250	Euro 198	228	236	244	253	261	270	278	286	300	309	319	329	339	349	358	368	378	387	397	412	429	441	454	463					
260	Euro 214	246	254	262	271	279	287	295	303	317	326	336	346	356	366	370	376	386	396	406	422	435	444	461	475					
270	Euro 219	252	260	268	277	286	294	302	310	324	335	344	355	365	371	376	384	395	405	415	431	442	454	468	481					
280	Euro 224	257	266	274	284	292	301	309	318	332	342	353	363	374	375	384	392	403	414	424	442	451	466	480	493					
290	Euro 229	263	272	280	290	299	308	317	325	340	351	362	372	377	383	392	400	411	422	439	448	460	472	490	502					
300	Euro 234	269	277	287	296	305	315	324	333	348	359	370	379	382	391	400	409	420	434	448	460	474	486	498	519					

system SL27C

The kit includes

- venetian blind with 16 mm slats
- 27 mm side profile (flat)
- 27 mm top & bottom U-profile
- 27 mm corner keys
- external magnetic control (with adhesive) (raising / lowering and tilting function)
- control cord loop
- cord tensioner

system SL32C

The kit includes

- venetian blind with 16 mm slats
- 32 mm side C-profile
- 32 mm top & bottom U-profile
- 32 mm corner keys
- external magnetic control (with adhesive) (raising / lowering and tilting function)
- control cord loop
- cord tensioner

5. Pellini® general sale terms and conditions

1. OVERALL The general sale terms and conditions specified below ("General Sale Terms and Conditions"), are an integrated part of the order and/or order confirmation regarding the products and/or services ("Order" and "Order Confirmation") submitted to and supplied by Pellini S.p.A. ("Company"). Therefore the order is accepted by the company and placed by the purchaser ("Purchaser") in compliance with the General Terms which - unless otherwise agreed and undersigned by the Company - must be deemed to prevail over the various clauses and conditions referred to by the Purchaser.

2. TRADEMARKS AND PATENTS The Company is the sole owner, or licensee in force of regular contracts, of all the rights of industrial property relative to the trademarks placed on the products constituting the object of the Order ("Products") and of all the patents in force of which the Products have been manufactured. The Purchaser is in no way authorized to remove the trademarks of the Company from the Products, to replace them with other trademarks nor to add trademarks and/or other distinctive signs other than those owned by the Company.

3. PRODUCTS OWNERSHIP The ownership of the Products, even after supply has taken place, resides with the Company until the aforementioned company account has been settled by the Purchaser the entire payment of all the invoices relative to the Products delivered to the purchaser according to that provided for by art. 6 shown below.

4. PRICES Prices are those specified in the Order or, if different, those specified by the Company in the Order Confirmation which are set based on the costs relative to materials, manufacturing or any other cost known to the Company on the date of the Order Confirmation. Should the Company decide to increase prices owing to increases recorded in such costs following that date, the Company will have to notify the Purchaser of the new prices, by registered letter or in writing, within 15 (fifteen) days after the date of the Order or, if subsequent, of the Order Confirmation. In this case, the new price will be deemed constituting the price of the Order, namely of the part of the order to be processed. If the new Price exceeds the previous one by over 10%, the Purchaser will be entitled to cancel the Order, namely the part of it still unprocessed by notifying such decision to the Company by written notice, possibly by registered letter, ahead of the Products shipment and, in any case, within and not later than 14 (fourteen) days after the date of forwarding of the price increase notice. Unless agreed otherwise in writing, the prices quoted by the Company are expressed in Euro and do not cover freight charges, insurance, loading and unloading of the Products and VAT or any other taxation, levies or duties and are ex works of the Company and delivered in standard packing.

5. PACKING, FREIGHT AND INSURANCE - RISKS CHARGES Charges for standard packing of the Products are met by the company, while charges for special packing (e.g. pallets or wooden crates in case of shipment) are charged to the Purchaser.

Freight charges of the Products through the forwarding company chosen by the Company and advanced by the same will be charged to the Purchaser in the invoice unless otherwise agreed. The Purchaser is also bound to pay to the Company an extra amount on the total amount of the Products specified in the invoice to meet with the expenses faced by the latter for insurance purposes. Freight charges of the Products are charged to the Purchaser who, within 3 (three) days after receipt, must inform the Company about any defect, damage, theft, shortage and delays occurred during the transport in order for the latter to file a complaint and formulate the necessary actions against either the forwarding company or the insurance company.

6. PAYMENT TERMS The price of the Products will have to be paid by the Purchaser to the Company within the deadline indicated in the sale invoices issued by the latter. 14 (fourteen) days having elapsed from the date of payment, the Company will be empowered to issue a sight draft to obtain the due amount alongside the interests for delayed payment which amounts to that provided for by art. 5 of the decree 9.10.2002 no. 231. The company reserves the right to claim damages, if any.

7. BREACH OF THE PURCHASER The Purchaser who does not settle the payment within the agreed terms, will be held in default albeit he/she will not have received any default notice. In the case of default by the Purchaser to pay the purchase price of the Products to the Company, according to what provided for by the art. 6 mentioned above, the Company reserves the right to cancel the Orders entirely or partly or to suspend delivery of the outgoing Products bound to the Purchaser's warehouse, even without issuing a default or injunction notice to the Purchaser, and is subject, anyway, to compensation for damage.

Should the Order refer to more deliveries, with regard to which the Company has issued more invoices, the delayed payment from the Purchaser - even if by one day only - of such invoices - or even one of them only - authorizes the Company to suspend finally later deliveries of the Products. In addition the Company will also be entitled to cancel an Order or to suspend partly or entirely the supply of the Products to the Purchaser, should a change in the financial and economic conditions of the same occur, such that his/her solvency guarantee is reduced. If the Purchaser is declared bankrupt, declares shutting down or ceases anyway to exist, or undergoes restraint or seizure of his/her property, the Company will be entitled to delay or cancel future deliveries, if any, and/or to back out of any contract without losing the right to be paid the full purchase price of the Products. The credit collection charges faced by the Company - both during the course of court proceedings and out of Court proceedings - including the fees charged by the Italian Lawyers, set by the Ordine degli Avvocati (Association of Italian Lawyers), will be charged entirely to the Purchaser. The Purchaser will not be entitled to withhold or compensate any payment by an alleged credit towards the Company.

8. SITE OF DELIVERY OF THE PRODUCTS The site of delivery of the Products is the factory of the company, based in Italy at Codogno (LO), Via Fusari, 19 ("Factory").

9. PRODUCTS DELIVERY TERMS Whereas the delivery of the Products is subordinate to the availability of the same at the Factory, the Company will do everything in its capacity to deliver the Products within the delivery terms agreed in the Order or, if different, in the Order Confirmation. Such terms, however, are approximate and not imperative. In case of delay, therefore, the Company will not be liable for breach of contract. Should a given delivery term have been agreed, the Purchaser will have to allow a proper extension - in any case not less than 30 (thirty) days - in order for the Company to fulfil its obligations. Only in case the agreed extension timeframe should be exceeded, will the Company be liable for breach of contract. Unless agreed otherwise in writing, the Company is entitled to carry out the delivery of the Products in instalments.

10. FORCE MAJEURE Should the Company be faced with the impossibility to carry out the delivery within the agreed terms, due to circumstances beyond its control such as, by way of illustration and not exhaustive: war, governmental restrictions, strikes or lockouts, work force demonstrations or other general or local events; fire, floods, explosions, natural catastrophes, or any other acts of God owing to which the Products have been damaged and/or destroyed or any event which, be that as it may, may cause problems to the Company in terms of manufacturing, delivery or supply of the Products, the Company, without obligation to provide explanations to the Purchaser, will be entitled to cancel all and/or part of the Order, while doing everything in its capacity to inform the Purchaser as soon as possible. It remains that, in these cases, the Purchaser will not be entitled to require any reimbursement from the Company as compensation for the damage, if any, suffered by the Purchaser and/or by third parties owing to the cancellation of the Order by the Company.

11. ORDER VARIATIONS, CHANGES AND CANCELLATIONS The Order of the Products is irrevocably confirmed by the Purchaser.

Barring what provided for by the art. 4 aforementioned, any changes or cancellations of the Order from the Purchaser and expressly authorized by the Company, will have to be communicated in writing to the latter by registered letter within, and at the latest, 10 (ten) days after the date of issuing of the Order.

12. NON COLLECTION OF THE PRODUCTS FROM THE PURCHASER Should the Purchaser not collect the purchased Products delivered to destination, the Company will be entitled, at its own discretion, to: (I) demand the settlement of the payment and leave the Products at the Purchaser's disposal; (II) proceed to the sale of the Products to third parties, without amendments or any other sort of measures having to be taken by the Legal Authorities. It remains that any stoppage dues arising from the non collection of the goods at the forwarding company, handling and freight charges applying to the Products are charged to the Purchaser. Should the Purchaser have difficulty in accepting the delivery for a period of time longer than 14 (fourteen) days, the Company will be entitled to back out of the contract. In any case, it is agreed that the Company is fully entitled to compensation for the damage suffered.

13. PRODUCTS WARRANTY AND COMPLAINTS All the Products supplied by the Company are guaranteed against production faults provided they are handled in compliance with correct procedures. The Purchaser is obliged to inspect the goods delivered upon receipt of the same. Complaints, if any, about Product faults are to be communicated to the Company by means of registered letter - or anyway in writing - : (I) in case of manifest faults, within and not later than 5 (five) days after receipt of the Products; (II) in case of hidden faults, within and not later than 8 (eight) days after ascertaining the fault and, however, not later than 30 (thirty) days after delivery of the Products. The above being stated, no complaint can be made unless judicially exerted by way of action or plea, within 3 (three) months after receipt of the single batches of Products. However complaints are to be provided with all the evidence necessary to their documentation. Inadequate information in this regard might cause delays to the Company to settle the complaint. It is agreed that, should this be the case, the Company will not be liable for such delays. Complaints regarding Products having been cut, used and/or processed after the delivery, will be rejected, except when faults other than production faults could not be detected before the processing of the goods. Complaints regarding the processing expenses of the delivered goods will be rejected. Differences of the Products from what specified in the Order or, if different, in the Order Confirmation with reference to quality, quantity, width, colours, finishes, size and the like, which stand for variations commonly accepted in the commercial practice or technically inevitable, will not be considered valid reasons for lodging complaints. The Purchaser is not entitled to give back the Products or refuse the delivery unless through written authorization of the Company. Being agreed that, in no way, will the complaints authorize the Purchaser to suspend or delay the payment of the invoices relative to the Products. Should the grounds of the complaint be conventionally or legally acknowledged and should it not be settled with the Company granting a discount on the purchase price of the Products, the Purchaser will be entitled to ask the Company to be reimbursed exclusively the price of all the defective Products as per the relative invoice. The Company will be entitled to choose, at its own discretion and upon return of the defective Products, whether (I) to replace the Products with other flawless Products or (II) to reimburse to the Purchaser the price paid by the latter for the defective Products. Being agreed, in any case, that the Purchaser will waive any claim of reimbursement for any direct or consequential damage that might arise. The Purchaser will further have to protect the Company against any possible complaint from third parties regarding goods or services supplied by the Company.

14. RETURNED GOODS In no way will the Purchaser be entitled to return the Products purchased and duly delivered by the Company, without written authorization of the Company.

Should such authorization be granted, the Purchaser, however, will have to specify the goods return authorization number provided by the Company in the forwarding note, upon express request of the Purchaser. The Products returned will have to be intact and in perfect conditions. Should the Products turn out damaged, the Company reserves the right, in its sole discretion, to: (I) reject the return of the Products; or (II) to charge the Purchaser with the cost of the Products and/or of all the steps required to their fixing. Forwarding of the returned goods will have to be free port at the Factory.

15. GOVERNING LAW AND PLACE OF JURISDICTION All the contracts executed by the Company will be governed by the laws in force in Italy except for the Vienna Convention on International Trade. For all disputes that should arise with regard to the contracts executed by the Company, in the first instance the Court of Lodi, Italy, will be the sole place of jurisdiction, being agreed that the Company is entitled to take legal measures against the Purchaser before the competent Court of the place of residence of the Purchaser or before any other competent Court.

- ScreenLine® is a Pellini S.p.A. product.
- The ScreenLine® Technical Catalogue / Price List is the exclusive property of Pellini S.p.A.
- Pellini S.p.A. reserves the right to modify or alter the contents of the Technical Catalogue / Price List without notice, and therefore the content must be considered as indicative and not binding.

