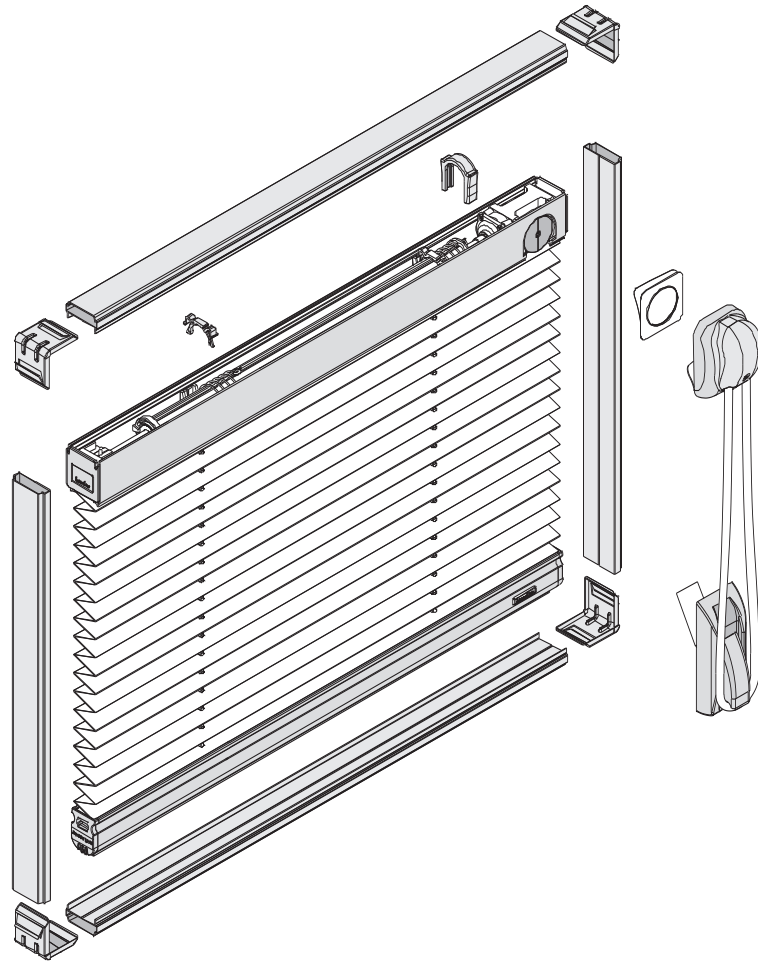


SL27C plissé

SL32C plissé

PLEATED BLIND



The ScreenLine® pleated blinds SL27C or 32C for use in double-glazed units, are manufactured in accordance with high technical specification and production standards. The pleated blind operation is achieved using a rotational magnetic transmission through the glass thereby guaranteeing the unit's hermetic seal. The external magnet, fixed to the internal glass by double-sided high performance adhesive allows perfect alignment with the internal magnet. The raising and lowering operation is achieved using a continuous cord loop that drives the external magnet. The cord is held lightly under tension by a cord tensioner on the glass directly below the external magnet. A dedicated mechanical end stop inside the head rail ensures a safe stop of the blind in the bottom position.

Height	300 ~ 2.200 mm
Width	300 ~ 2.500 mm
Maximum area	see feasibility tables
Blind pack height	1% blind height + 65 mm

1. technical features

Magnetic drive components

Fibreglass re-inforced nylon 66 casing. Transmission gears and parts manufactured from carbon-nitride steel. Ball bearing support for both magnets and gears.

Neodymium-Iron-Boron magnets with the following technical features:

Energy produced	Bh max-Mg.Oe	33-35
Residual induction	Br-Gauss	11.000 / 12.000
Coercive force	Hc-Oestered	10.000
Maximum working temperature	°C	120
Curie temperature	°C	310
Reversible temperature factor	°C	-0.12%

Head rail

Extruded aluminium, A6063S-T5 alloy. Dimensions: width 27 mm, height 34 mm.

Powder coated in aluminium grey colour. Includes interlocking design mechanism for easy and quick assembling of head rail to the upper U-shaped spacer bar.

Verosol® fabric

Woven polyester fabric, 20 mm pleat, with an aluminium microfilm applied through an exclusive vacuum technique (three-chamber system). The microfilm adhesion complies with the EN-ISO 7523 regulations and the fabric is Class 1 (one) Flame-Retardant. Colours available: 6.

Vanity fabric

Woven polyester fabric, 20 mm pleat, non flame retardant, not metallized. Colours available: 2.

Performance characteristic of the Verosol® fabric

Pleated Verosol Fabric	Solar reflection %	Light reflection %	Solar absorption %	Solar transmission %	Light transmission %
812	71	66	20	9	9
816	52	50	28	20	22
875	74	74	21	5	5

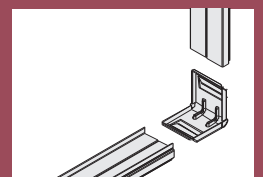
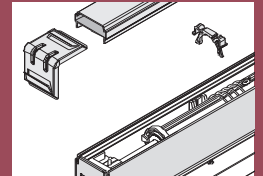
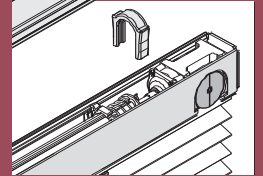
Performance characteristic of the Vanity fabric

Pleated Vanity Fabric	Light reflection %	Light absorption %	Light transmission %
White C000	46	4	51
Cream C010	40	13	46

Bottom rail

Extruded aluminium A6063S-T5 alloy. Dimensions: width 20 mm, height 30 mm.

Powder coated to aluminium grey colour. Manufactured in two interlocking profiles.



SL27C plissé

SL32C plissé

PLEATED BLIND

Cords

Thermo-fixed 100% polyester with internal core and excellent dimensional stability.

1.0 mm diameter internal cord with centre core - white.

4.0 mm diameter External cord - white, black or light grey.

Spacer bar

Extruded aluminium. Available in two versions for each system:

SL27: standard spacer bar - side flat spacer bars dimension 27 x 8 mm; superior and inferior "U" shaped spacer bar 27 x 8 mm with 4 mm clipping projection for head-rail connection.

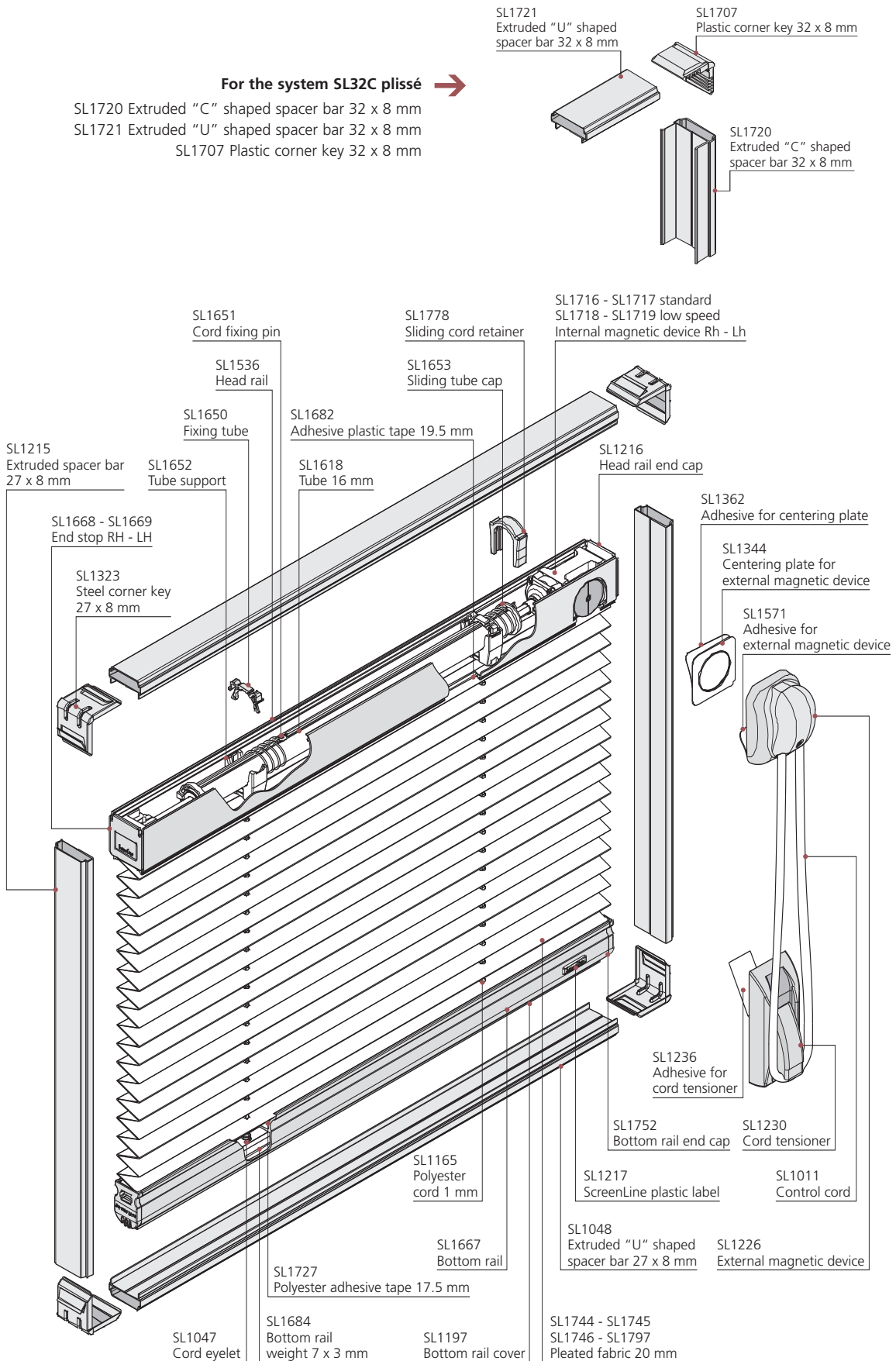
SL32: "C" side spacer bar dimension 32 x 8 mm with 12 mm pelmet; "U" shaped spacer bar 32 x 8 mm. with 4 mm clipping projection.

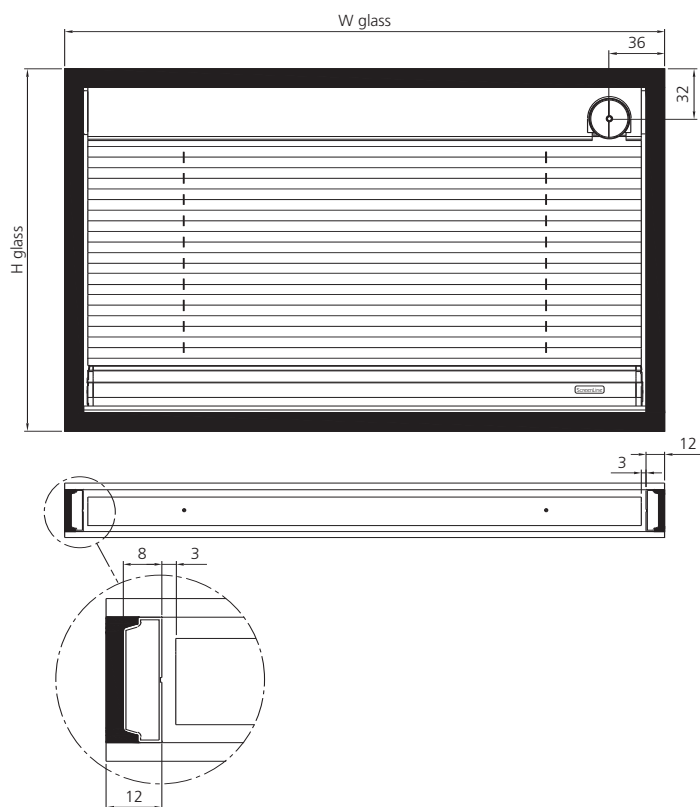
"No dust treatment" available for "C" shaped (32 mm) spacer bars.

SL27C plissé

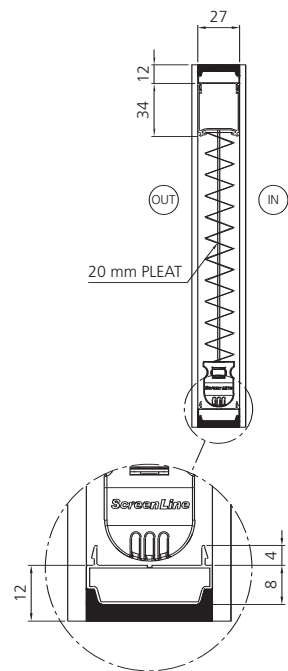
2. technical drawings

comprehensive drawing with component codes

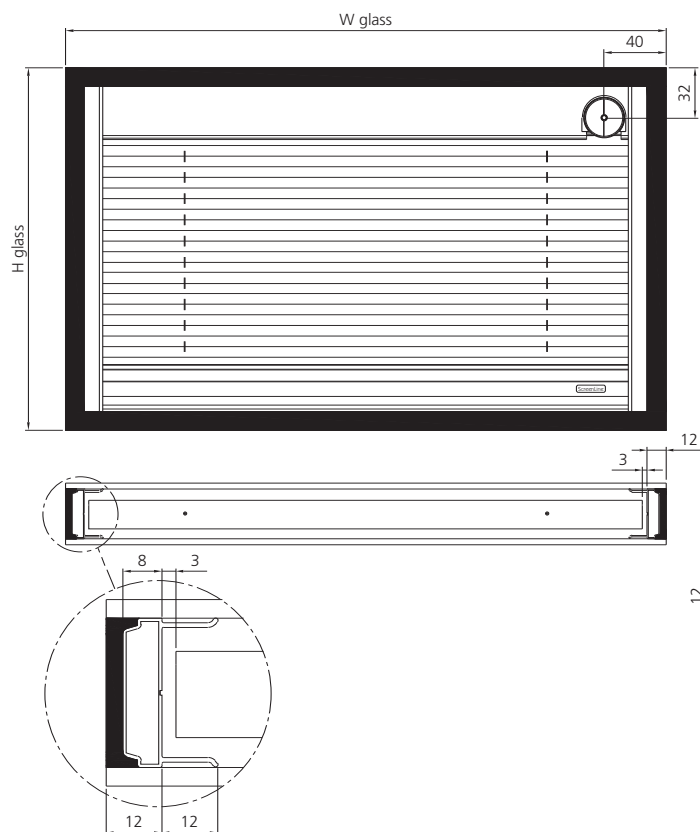




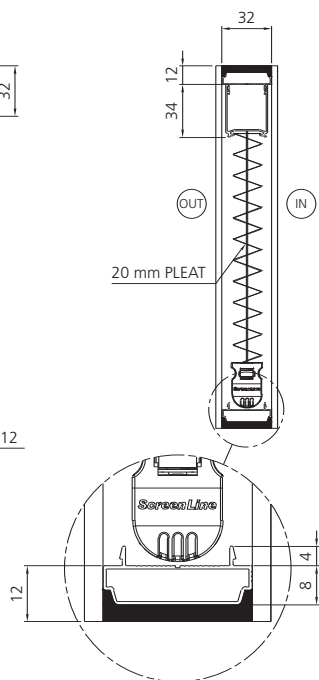
EXTRUDED FLAT SIDE SPACER BAR 27 x 8 mm



EXTRUDED "U" SPACER BAR 27 x 8 mm

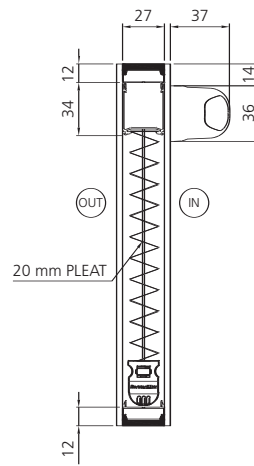
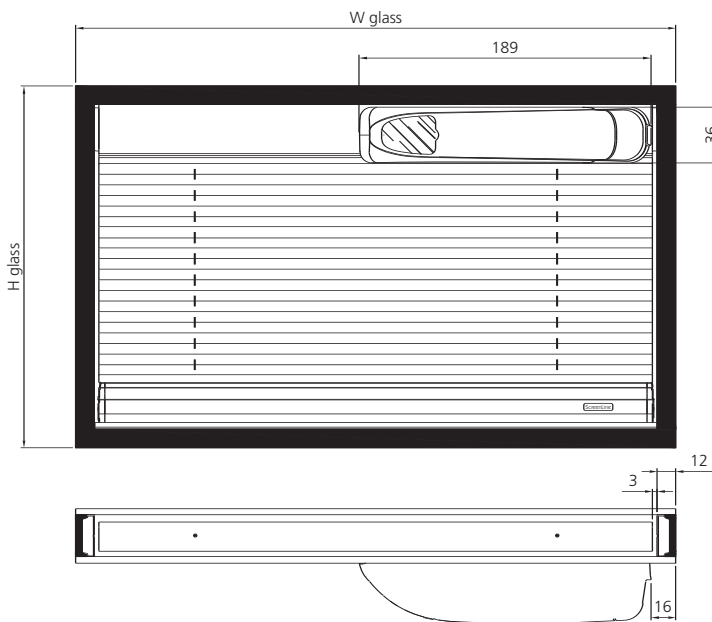
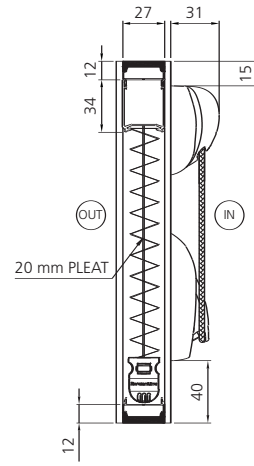
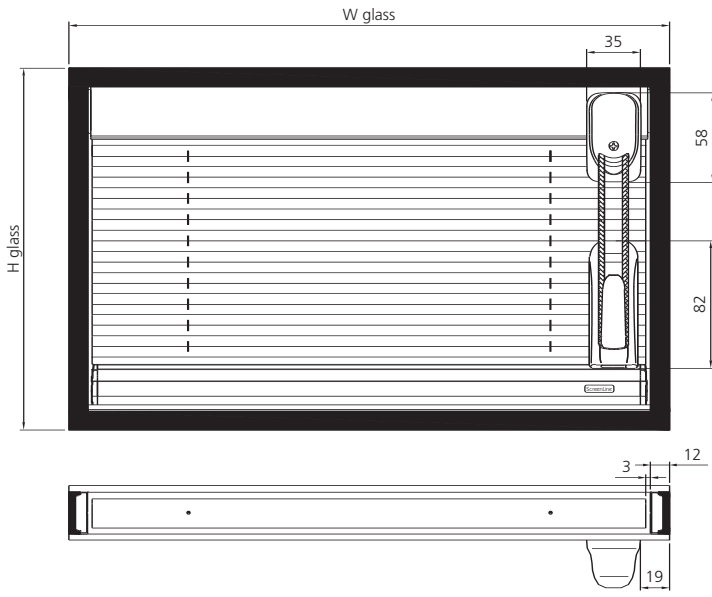


EXTRUDED "C" PROFILE SIDE 32 x 8 mm



EXTRUDED "U" PROFILE 32 x 8 mm

raising and lowering function



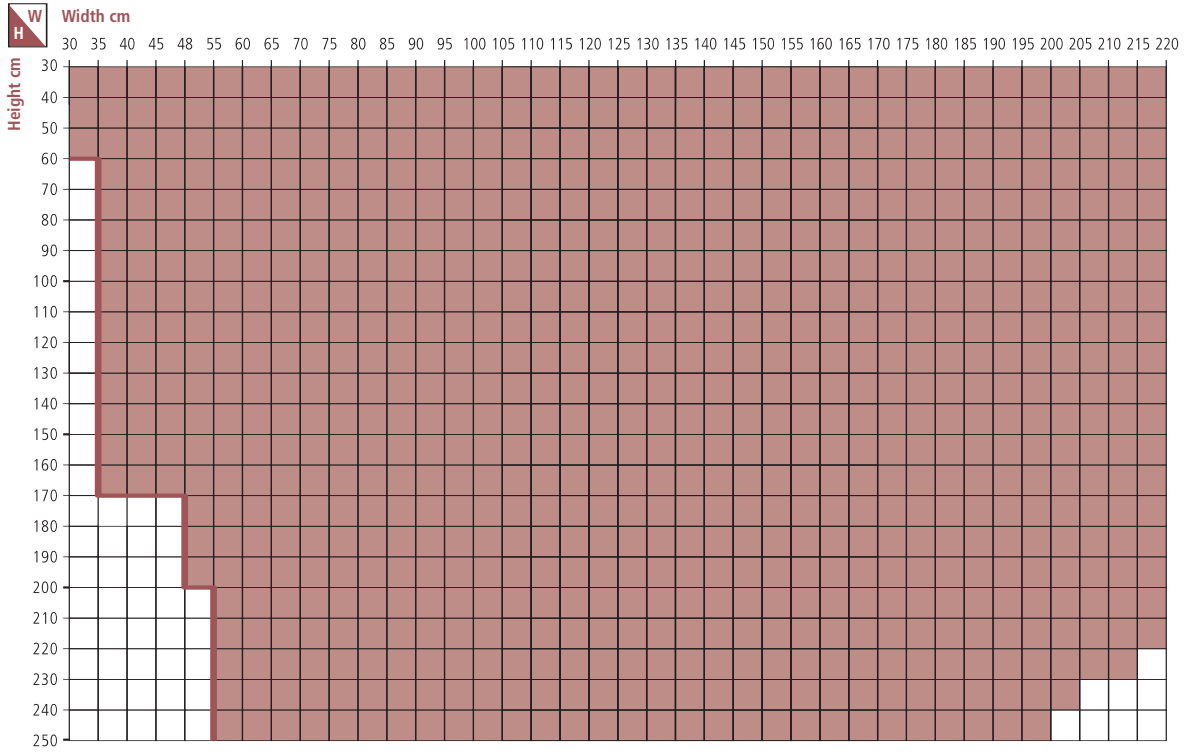
SL27C plissé double-glazed unit with cord operation

SL27C plissé double-glazed unit with external motor

SL27C plissé

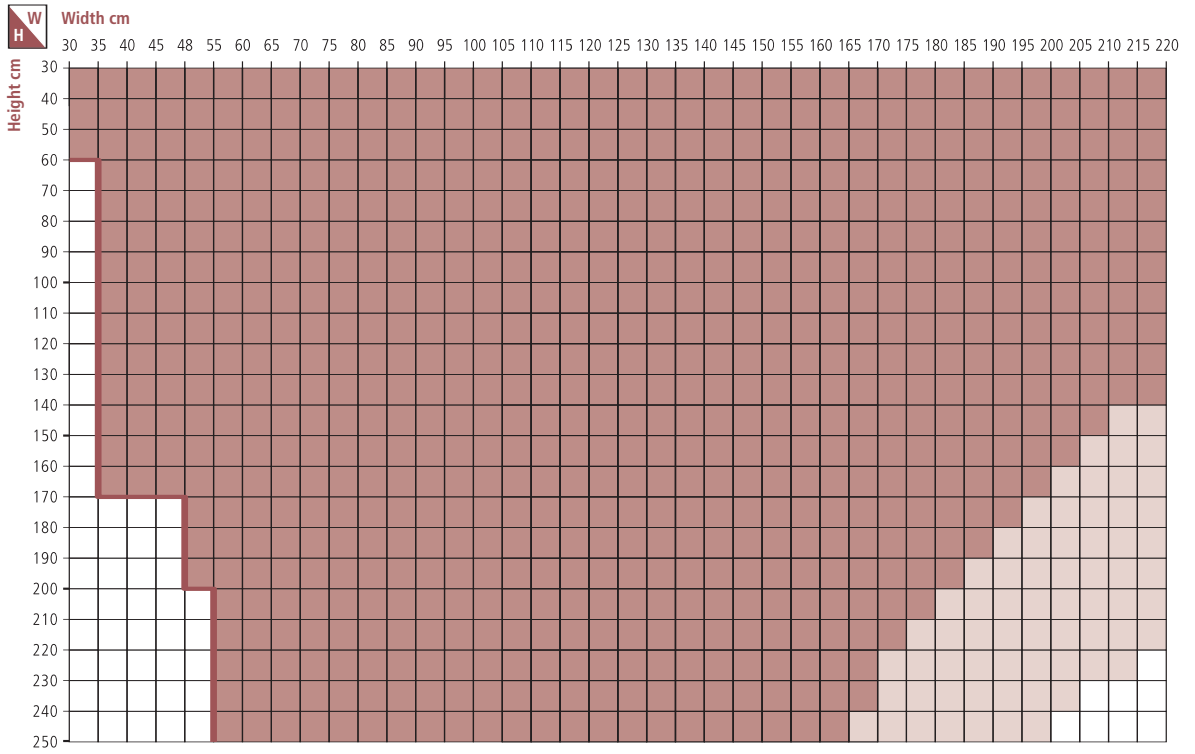
4
5

glass thickness **4 mm** and **5 mm** Monolithic



6

glass thickness **6 mm** Monolithic

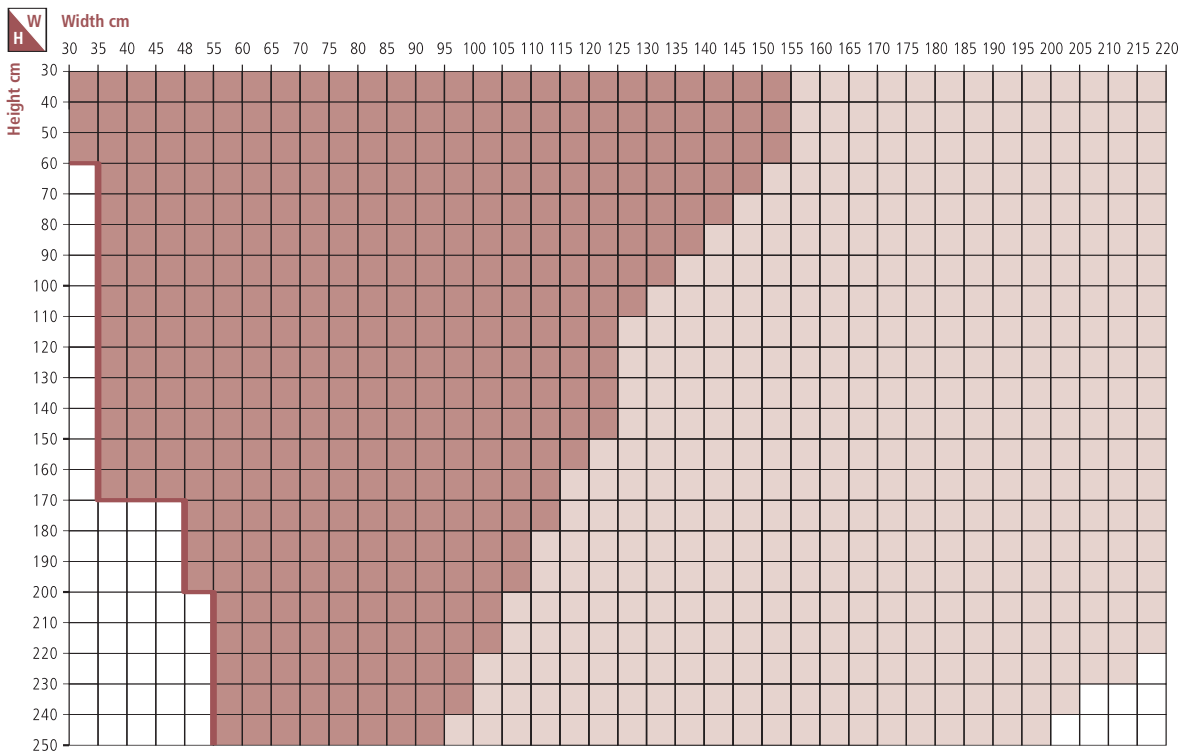
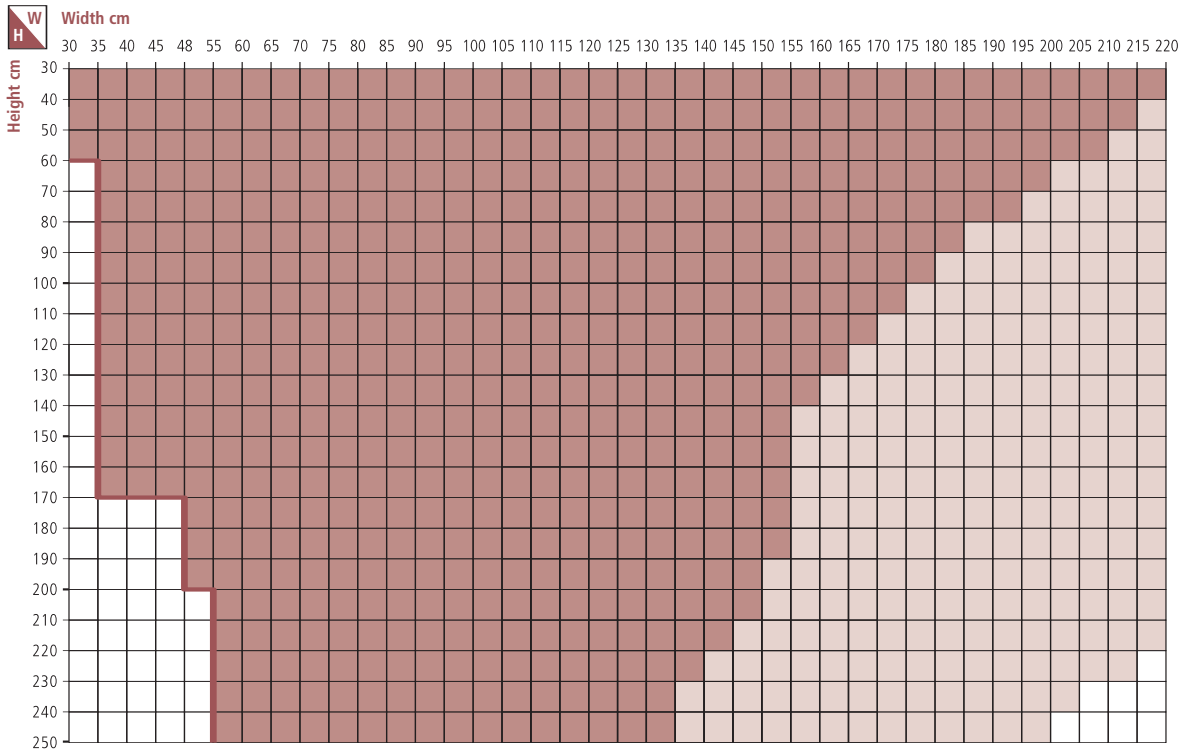


Raisable with standard speed System

Raisable with reduced speed System

Not feasible

3. feasibility

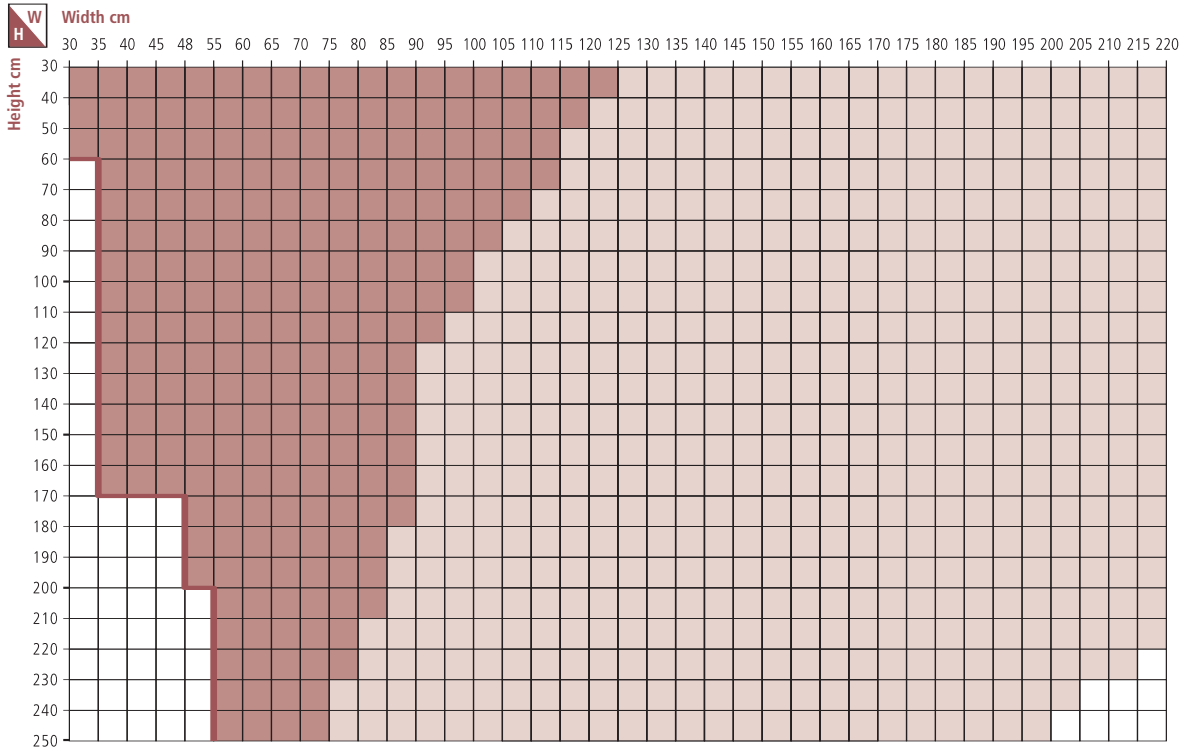


- Raisable with standard speed System
- Raisable with reduced speed System
- Not feasible

SL27C plissé

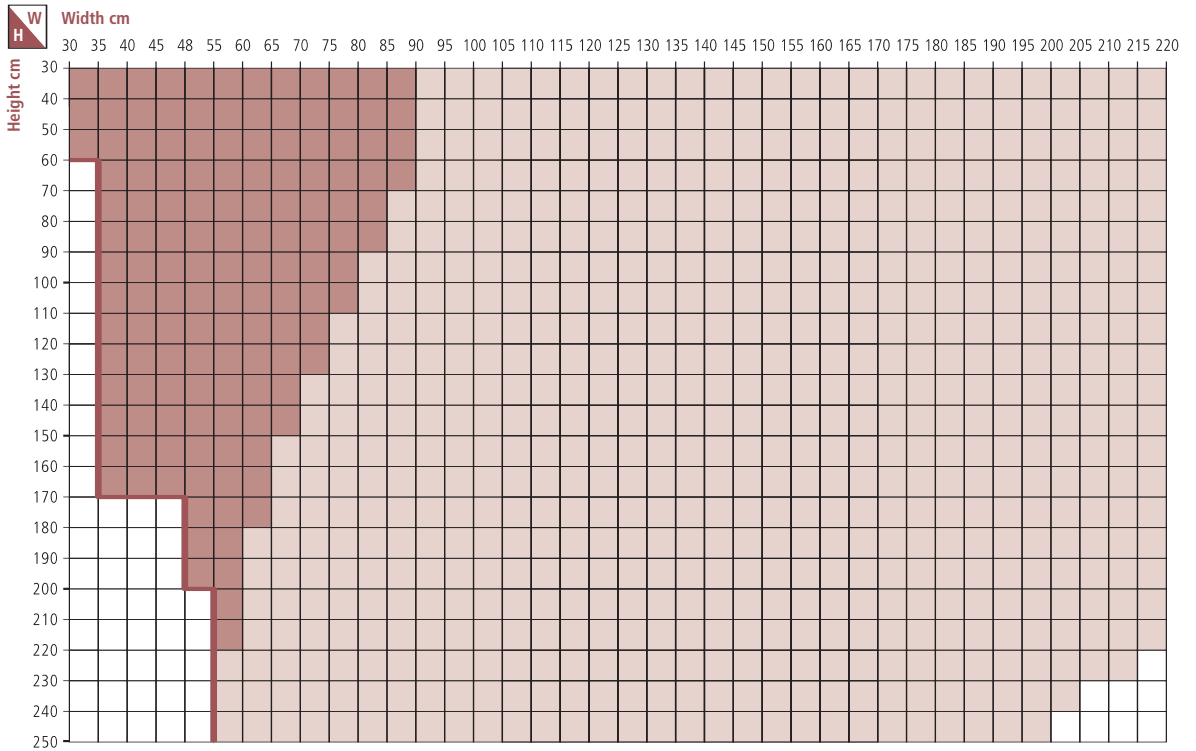
9

glass thickness **9 mm** Laminated 44.1 44.2



10

glass thickness **10 mm** Monolithic

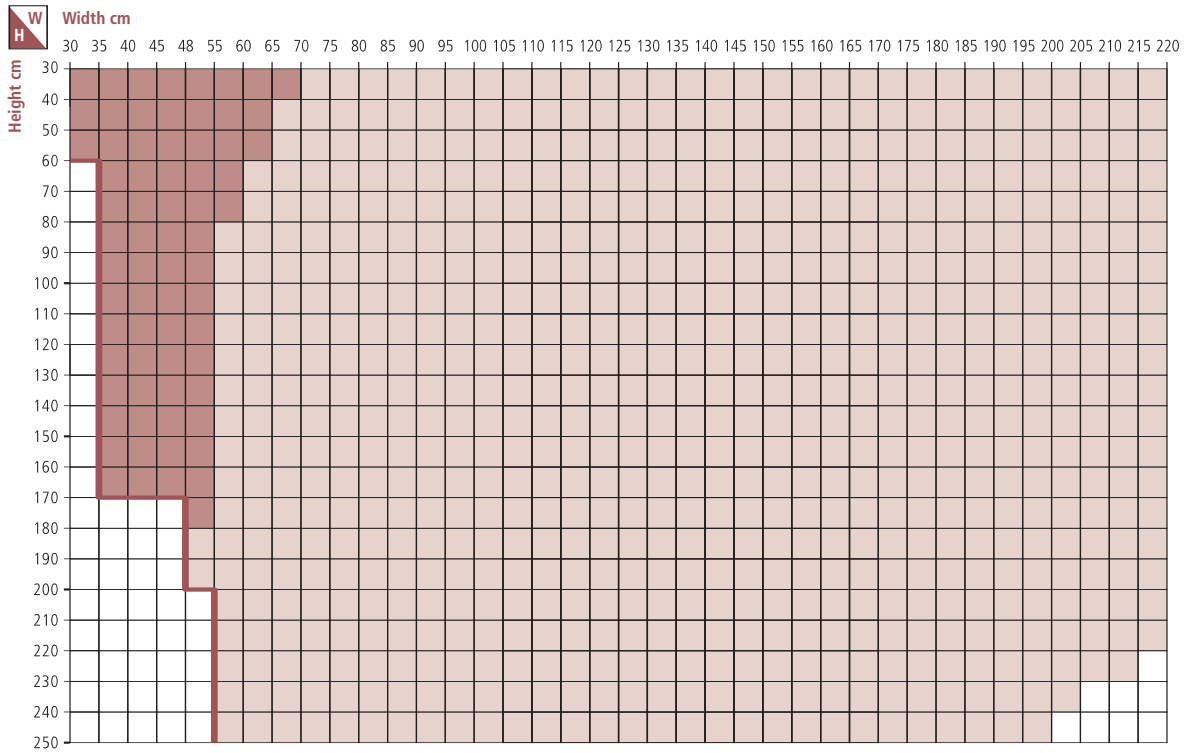


Raisable with standard speed System

Raisable with reduced speed System

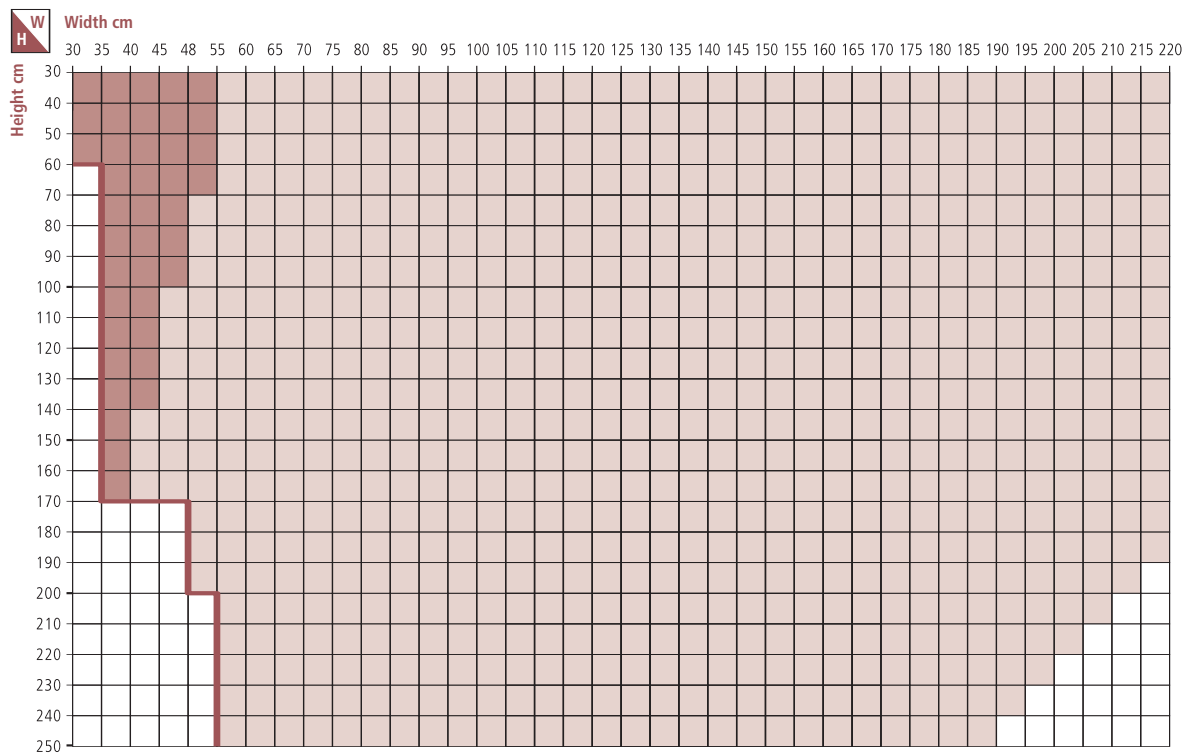
Not feasible

feasibility



11

glass thickness **11 mm** Laminated 55.1 55.2 55.4



12

glass thickness **12 mm** Monolithic

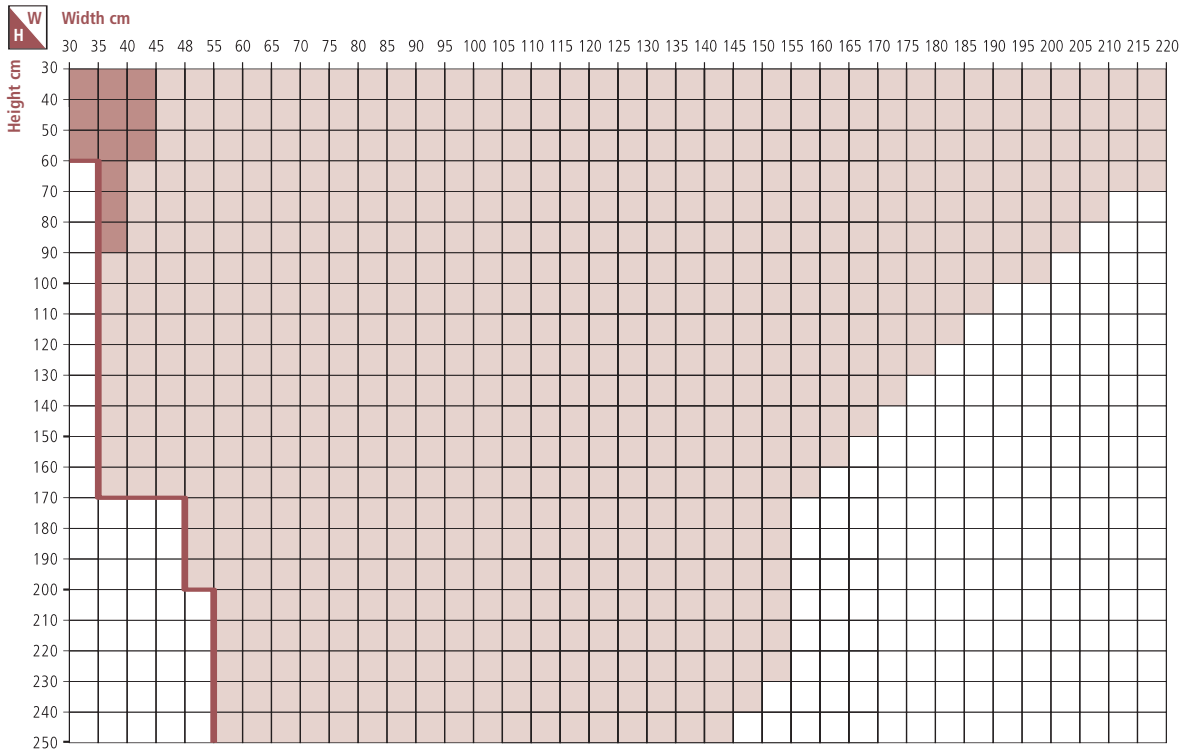
- Raisable with standard speed System
- Raisable with reduced speed System
- Not feasible


SL27C plissé


feasibility


13

glass thickness 13 mm Laminated 66.1 66.2 66.4



 Raisable with standard speed System

 Raisable with reduced speed System

 Not feasible

ScreenLine® kit components

On receipt of the goods, check the integrity of the package and confirm that the components are as detailed on the Purchase Order. The kit comprises: **A**

- pleated blind comprising a magnetic control system integrated inside the head rail
- 2 No. top / bottom U-profile spacer bar (width)
- 2 No. flat profile side spacer bars (height)
- 4 No. steel corner keys
- external magnetic control kit including aluminium centering base plate plus cord with cord tensioner, all with factory applied adhesive tape.

Assembly of the integral blind unit

Spacer bars preparation

Fill the appropriate side spacer bars with requisite amount of molecular sieve and assemble them with the bottom spacer bar. **B**

Assemble with the head-rail / top spacer bar to form the complete spacer frame.

Extrude the butyl primary seal on the formed frame in a continuous line, in accordance with EN 1279-2. **C**

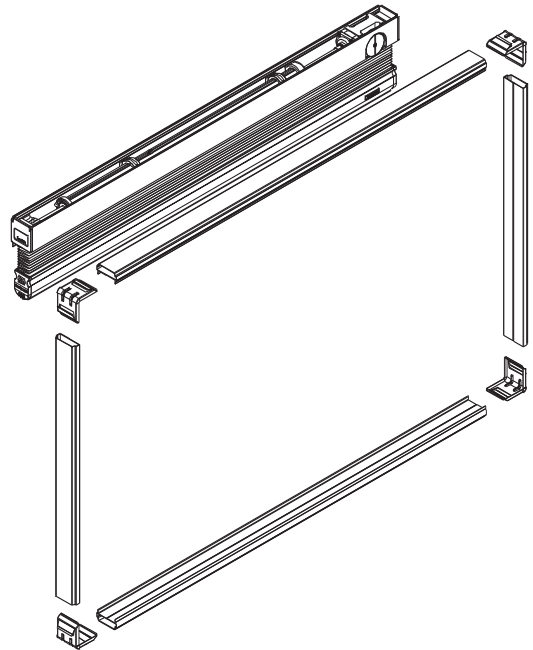
Line assembly

Pass the first glass through the washer either on its base or on its height.

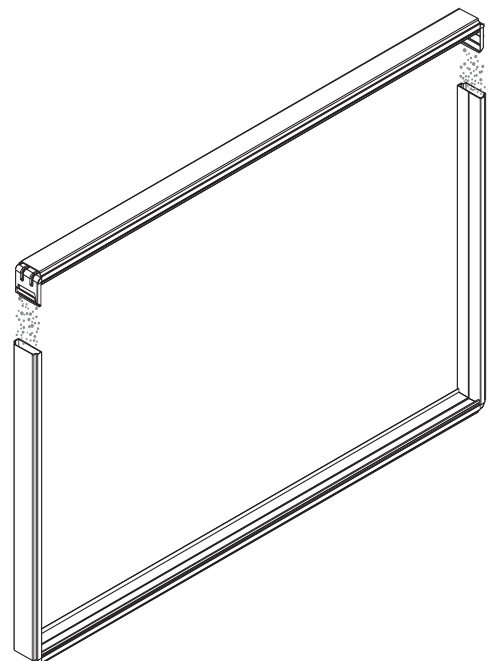
Remove the plastic protective film from the blind / head-rail, align the head rail with the top spacer U-profile and clip together to form a mechanical bond, ensuring that the fabric does not remain entrapped between head rail and spacer bars. **D**

Position the spacer frame uniformly on the glass ensuring it is perfectly parallel and square (avoid inwards deflection of the side spacer bars) and that the internal magnet faces the internal glass surface; press to obtain a high degree of adhesion.

Proceed with the assembling of the second glass and pass through the on-line pressing system. **E**

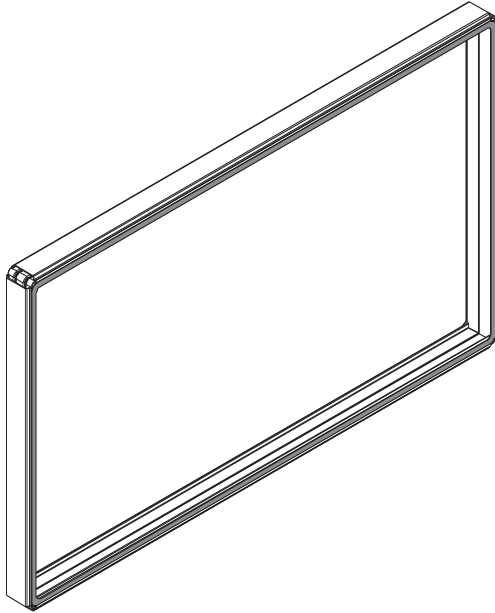


A composition kit



B spacer bars assembly

assembly instructions



Gas filling

Following the approved procedure, replace the internal air with argon.

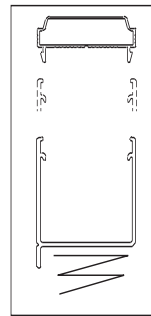
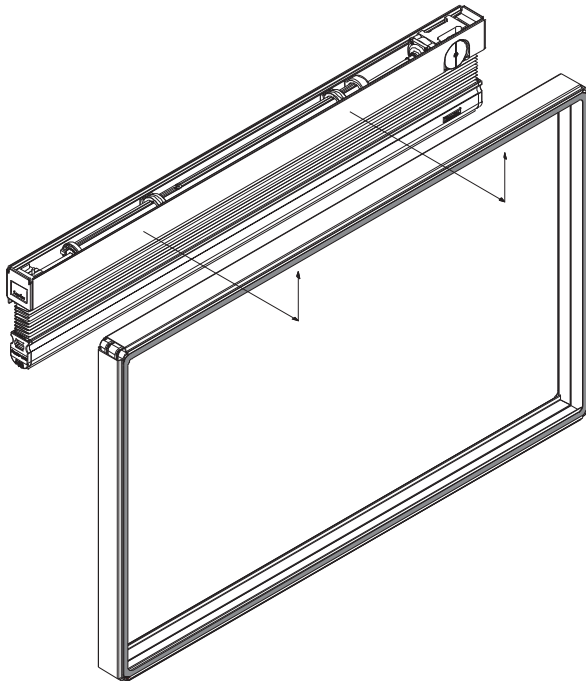
Testing

Prior to applying the final seal, test the blind function's correctly using the cord operated external magnetic device after positioning the double-glazed unit vertically with the blind head rail at the top. Ensure that the movement of the blind occurs freely and that the bottom rail lies parallel on the bottom spacer bar.

Second sealing

Raise the blind completely and apply the final secondary seal in accordance with EN 1279-2. **F**

C first sealing applying



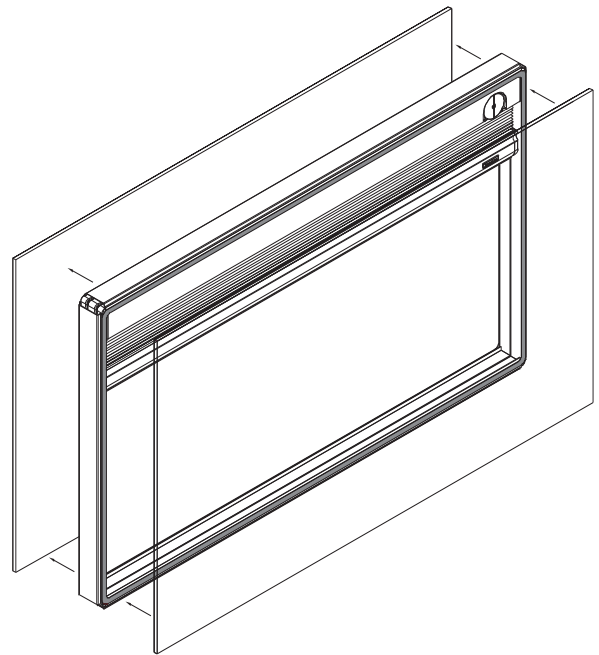
D blind insertion inside the spacer bars

Note

The blind must be completely raised when moving the finished unit whether vertical or horizontal, otherwise it is possible to damage the blind if it is only partially raised. Capsizing of the blind is possible only if the blind is completely raised.

The centering base plate should be factory applied so that on-site fitting of the external magnet ensures correct alignment of the internal and external magnets. The glass surface should be cleaned prior to adhesion. (See instruction in the ScreenLine® Technical Catalogue).

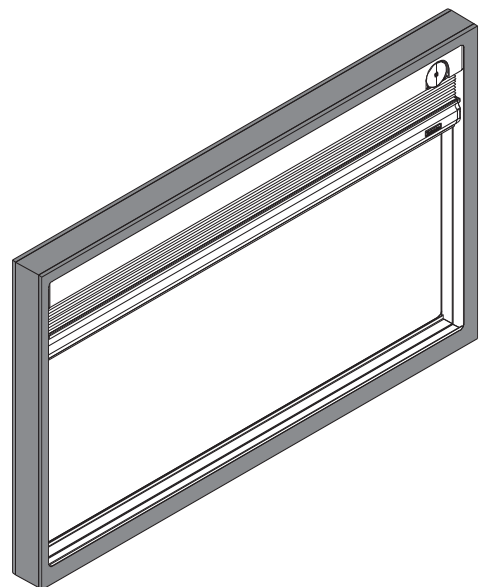
The external magnet and cord tensioner should be applied to the glass surface after glazing. Again ensuring that the glass surface is cleaned correctly to obtain good adhesion.



E glass assembly

Transport and Storage

For transport and storage procedure please check the recommendations contained in the relevant part of the ScreenLine® Technical Catalogue.



F double-glazed unit
second sealing

W / Cm H / Cm	50	60	70	80	90	100	110	120	130	140	150	160	170	180	190	200	210	220
100 Euro	124	138	151	163	176	188	201	213	227	240	252	264	277	290	303	316	328	341
110 Euro	129	142	155	168	182	195	209	222	235	249	262	276	288	301	316	329	342	355
120 Euro	131	145	160	173	188	201	216	230	244	257	272	286	300	314	328	342	356	370
130 Euro	134	150	164	179	194	208	223	238	252	266	282	296	310	326	340	354	370	385
140 Euro	138	153	168	184	199	215	230	245	261	276	292	307	322	338	353	367	384	398
150 Euro	141	157	173	189	205	221	238	253	270	285	301	317	333	349	365	382	397	414
160 Euro	144	161	178	194	211	228	244	261	278	295	311	328	344	361	378	395	410	428
170 Euro	147	165	182	199	217	234	251	270	286	304	321	339	355	373	391	408	425	442
180 Euro	151	168	186	205	222	241	259	276	295	312	331	349	366	385	403	421	439	457
190 Euro	154	173	191	210	229	248	266	285	303	322	340	359	378	395	416	435	452	471
200 Euro	157	176	196	215	234	254	273	293	312	331	351	370	388	408	428	447	466	486
210 Euro	161	180	200	220	240	261	281	300	320	340	361	380	400	420	440	460	481	501
220 Euro	164	184	205	226	246	267	287	308	329	349	370	391	411	432	452	473	494	515
230 Euro	167	188	209	231	252	274	295	316	337	359	380	402	422	443	465	486	508	-
240 Euro	171	193	215	235	257	281	301	323	347	367	389	411	433	455	477	499	-	-
250 Euro	173	196	219	241	264	286	309	331	354	377	399	422	444	468	491	-	-	-

system **SL27C plissé**

The kit includes

- head-rail with 20 mm pleated blind
- 27 mm flat side profile
- 27 mm top & bottom U-profile
- 27 mm corner keys
- external magnetic control (with adhesive) (raising / lowering function)
- control cord loop
- cord tensioner

system **SL32C plissé**

The kit includes

- head-rail with 20 mm pleated blind
- 32 mm C-side guide profile
- 32 mm top & bottom U-profile
- 32 mm corner keys
- external magnetic control (with adhesive) (raising / lowering function)
- control cord loop
- cord tensioner

5. Pellini® general sale terms and conditions

1. OVERALL The general sale terms and conditions specified below ("General Sale Terms and Conditions"), are an integrated part of the order and/or order confirmation regarding the products and/or services ("Order" and "Order Confirmation") submitted to and supplied by Pellini S.p.A. ("Company"). Therefore the order is accepted by the company and placed by the purchaser ("Purchaser") in compliance with the General Terms which - unless otherwise agreed and undersigned by the Company - must be deemed to prevail over the various clauses and conditions referred to by the Purchaser.

2. TRADEMARKS AND PATENTS The Company is the sole owner, or licensee in force of regular contracts, of all the rights of industrial property relative to the trademarks placed on the products constituting the object of the Order ("Products") and of all the patents in force of which the Products have been manufactured. The Purchaser is in no way authorized to remove the trademarks of the Company from the Products, to replace them with other trademarks nor to add trademarks and/or other distinctive signs other than those owned by the Company.

3. PRODUCTS OWNERSHIP The ownership of the Products, even after supply has taken place, resides with the Company until the aforementioned company account has been settled by the Purchaser the entire payment of all the invoices relative to the Products delivered to the purchaser according to that provided for by art. 6 shown below.

4. PRICES Prices are those specified in the Order or, if different, those specified by the Company in the Order Confirmation which are set based on the costs relative to materials, manufacturing or any other cost known to the Company on the date of the Order Confirmation. Should the Company decide to increase prices owing to increases recorded in such costs following that date, the Company will have to notify the Purchaser of the new prices, by registered letter or in writing, within 15 (fifteen) days after the date of the Order or, if subsequent, of the Order Confirmation. In this case, the new price will be deemed constituting the price of the Order, namely of the part of the order to be processed. If the new Price exceeds the previous one by over 10%, the Purchaser will be entitled to cancel the Order, namely the part of it still unprocessed by notifying such decision to the Company by written notice, possibly by registered letter, ahead of the Products shipment and, in any case, within and not later than 14 (fourteen) days after the date of forwarding of the price increase notice. Unless agreed otherwise in writing, the prices quoted by the Company are expressed in Euro and do not cover freight charges, insurance, loading and unloading of the Products and VAT or any other taxation, levies or duties and are ex works of the Company and delivered in standard packing.

5. PACKING, FREIGHT AND INSURANCE - RISKS CHARGES Charges for standard packing of the Products are met by the company, while charges for special packing (e.g. pallets or wooden crates in case of shipment) are charged to the Purchaser.

Freight charges of the Products through the forwarding company chosen by the Company and advanced by the same will be charged to the Purchaser in the invoice unless otherwise agreed. The Purchaser is also bound to pay to the Company an extra amount on the total amount of the Products specified in the invoice to meet with the expenses faced by the latter for insurance purposes. Freight charges of the Products are charged to the Purchaser who, within 3 (three) days after receipt, must inform the Company about any defect, damage, theft, shortage and delays occurred during the transport in order for the latter to file a complaint and formulate the necessary actions against either the forwarding company or the insurance company.

6. PAYMENT TERMS The price of the Products will have to be paid by the Purchaser to the Company within the deadline indicated in the sale invoices issued by the latter. 14 (fourteen) days having elapsed from the date of payment, the Company will be empowered to issue a sight draft to obtain the due amount alongside the interests for delayed payment which amounts to that provided for by art. 5 of the decree 9.10.2002 no. 231. The company reserves the right to claim damages, if any.

7. BREACH OF THE PURCHASER The Purchaser who does not settle the payment within the agreed terms, will be held in default albeit he/she will not have received any default notice. In the case of default by the Purchaser to pay the purchase price of the Products to the Company, according to what provided for by the art. 6 mentioned above, the Company reserves the right to cancel the Orders entirely or partly or to suspend delivery of the outgoing Products bound to the Purchaser's warehouse, even without issuing a default or injunction notice to the Purchaser, and is subject, anyway, to compensation for damage.

Should the Order refer to more deliveries, with regard to which the Company has issued more invoices, the delayed payment from the Purchaser - even if by one day only - of such invoices - or even one of them only - authorizes the Company to suspend finally later deliveries of the Products. In addition the Company will also be entitled to cancel an Order or to suspend partly or entirely the supply of the Products to the Purchaser, should a change in the financial and economic conditions of the same occur, such that his/her solvency guarantee is reduced. If the Purchaser is declared bankrupt, declares shutting down or ceases anyway to exist, or undergoes restraint or seizure of his/her property, the Company will be entitled to delay or cancel future deliveries, if any, and/or to back out of any contract without losing the right to be paid the full purchase price of the Products. The credit collection charges faced by the Company - both during the course of court proceedings and out of Court proceedings - including the fees charged by the Italian Lawyers, set by the Ordine degli Avvocati (Association of Italian Lawyers), will be charged entirely to the Purchaser. The Purchaser will not be entitled to withhold or compensate any payment by an alleged credit towards the Company.

8. SITE OF DELIVERY OF THE PRODUCTS The site of delivery of the Products is the factory of the company, based in Italy at Codogno (LO), Via Fusari, 19 ("Factory").

9. PRODUCTS DELIVERY TERMS Whereas the delivery of the Products is subordinate to the availability of the same at the Factory, the Company will do everything in its capacity to deliver the Products within the delivery terms agreed in the Order or, if different, in the Order Confirmation. Such terms, however, are approximate and not imperative. In case of delay, therefore, the Company will not be liable for breach of contract. Should a given delivery term have been agreed, the Purchaser will have to allow a proper extension - in any case not less than 30 (thirty) days - in order for the Company to fulfil its obligations. Only in case the agreed extension timeframe should be exceeded, will the Company be liable for breach of contract. Unless agreed otherwise in writing, the Company is entitled to carry out the delivery of the Products in instalments.

SL27C plissé

SL32C plissé

10. FORCE MAJEURE Should the Company be faced with the impossibility to carry out the delivery within the agreed terms, due to circumstances beyond its control such as, by way of illustration and not exhaustive: war, governmental restrictions, strikes or lockouts, work force demonstrations or other general or local events; fire, floods, explosions, natural catastrophes, or any other acts of God owing to which the Products have been damaged and/or destroyed or any event which, be that as it may, may cause problems to the Company in terms of manufacturing, delivery or supply of the Products, the Company, without obligation to provide explanations to the Purchaser, will be entitled to cancel all and/or part of the Order, while doing everything in its capacity to inform the Purchaser as soon as possible. It remains that, in these cases, the Purchaser will not be entitled to require any reimbursement from the Company as compensation for the damage, if any, suffered by the Purchaser and/or by third parties owing to the cancellation of the Order by the Company.

11. ORDER VARIATIONS, CHANGES AND CANCELLATIONS The Order of the Products is irrevocably confirmed by the Purchaser.

Barring what provided for by the art. 4 aforementioned, any changes or cancellations of the Order from the Purchaser and expressly authorized by the Company, will have to be communicated in writing to the latter by registered letter within, and at the latest, 10 (ten) days after the date of issuing of the Order.

12. NON COLLECTION OF THE PRODUCTS FROM THE PURCHASER Should the Purchaser not collect the purchased Products delivered to destination, the Company will be entitled, at its own discretion, to: (I) demand the settlement of the payment and leave the Products at the Purchaser's disposal; (II) proceed to the sale of the Products to third parties, without amendments or any other sort of measures having to be taken by the Legal Authorities. It remains that any stoppage dues arising from the non collection of the goods at the forwarding company, handling and freight charges applying to the Products are charged to the Purchaser. Should the Purchaser have difficulty in accepting the delivery for a period of time longer than 14 (fourteen) days, the Company will be entitled to back out of the contract. In any case, it is agreed that the Company is fully entitled to compensation for the damage suffered.

13. PRODUCTS WARRANTY AND COMPLAINTS All the Products supplied by the Company are guaranteed against production faults provided they are handled in compliance with correct procedures. The Purchaser is obliged to inspect the goods delivered upon receipt of the same. Complaints, if any, about Product faults are to be communicated to the Company by means of registered letter - or anyway in writing - : (I) in case of manifest faults, within and not later than 5 (five) days after receipt of the Products; (II) in case of hidden faults, within and not later than 8 (eight) days after ascertaining the fault and, however, not later than 30 (thirty) days after delivery of the Products. The above being stated, no complaint can be made unless judicially exerted by way of action or plea, within 3 (three) months after receipt of the single batches of Products. However complaints are to be provided with all the evidence necessary to their documentation. Inadequate information in this regard might cause delays to the Company to settle the complaint. It is agreed that, should this be the case, the Company will not be liable for such delays. Complaints regarding Products having been cut, used and/or processed after the delivery, will be rejected, except when faults other than production faults could not be detected before the processing of the goods. Complaints regarding the processing expenses of the delivered goods will be rejected. Differences of the Products from what specified in the Order or, if different, in the Order Confirmation with reference to quality, quantity, width, colours, finishes, size and the like, which stand for variations commonly accepted in the commercial practice or technically inevitable, will not be considered valid reasons for lodging complaints. The Purchaser is not entitled to give back the Products or refuse the delivery unless through written authorization of the Company. Being agreed that, in no way, will the complaints authorize the Purchaser to suspend or delay the payment of the invoices relative to the Products. Should the grounds of the complaint be conventionally or legally acknowledged and should it not be settled with the Company granting a discount on the purchase price of the Products, the Purchaser will be entitled to ask the Company to be reimbursed exclusively the price of all the defective Products as per the relative invoice. The Company will be entitled to choose, at its own discretion and upon return of the defective Products, whether (I) to replace the Products with other flawless Products or (II) to reimburse to the Purchaser the price paid by the latter for the defective Products. Being agreed, in any case, that the Purchaser will waive any claim of reimbursement for any direct or consequential damage that might arise. The Purchaser will further have to protect the Company against any possible complaint from third parties regarding goods or services supplied by the Company.

14. RETURNED GOODS In no way will the Purchaser be entitled to return the Products purchased and duly delivered by the Company, without written authorization of the Company.

Should such authorization be granted, the Purchaser, however, will have to specify the goods return authorization number provided by the Company in the forwarding note, upon express request of the Purchaser. The Products returned will have to be intact and in perfect conditions. Should the Products turn out damaged, the Company reserves the right, in its sole discretion, to: (I) reject the return of the Products; or (II) to charge the Purchaser with the cost of the Products and/or of all the steps required to their fixing. Forwarding of the returned goods will have to be free port at the Factory.

15. GOVERNING LAW AND PLACE OF JURISDICTION All the contracts executed by the Company will be governed by the laws in force in Italy except for the Vienna Convention on International Trade. For all disputes that should arise with regard to the contracts executed by the Company, in the first instance the Court of Lodi, Italy, will be the sole place of jurisdiction, being agreed that the Company is entitled to take legal measures against the Purchaser before the competent Court of the place of residence of the Purchaser or before any other competent Court.

- ScreenLine® is a Pellini S.p.A. product.
- The ScreenLine® Technical Catalogue / Price List is the exclusive property of Pellini S.p.A.
- Pellini S.p.A. reserves the right to modify or alter the contents of the Technical Catalogue / Price List without notice, and therefore the content must be considered as indicative and not binding.

www.pellini.net

